



Operating instructions TAPCON[®] 230 Pro. Voltage regulator

7817451/09 EN



© All rights reserved by Maschinenfabrik Reinhausen

Dissemination and reproduction of this document and use and disclosure of its content are strictly prohibited unless expressly permitted.

Infringements will result in liability for compensation. All rights reserved in the event of the granting of patents, utility models or designs.

The product may have been altered since this document was published.

We reserve the right to change the technical data, design and scope of supply.

Generally the information provided and agreements made when processing the individual quotations and orders are binding.

The product is delivered in accordance with MR's technical specifications, which are based on information provided by the customer. The customer has a duty of care to ensure the compatibility of the specified product with the customer's planned scope of application.

The original operating instructions were written in German.

Table of contents

1 Introduction	5	6.4 Connecting device	34
1.1 Manufacturer	5	6.4.1 Cable recommendation	34
1.2 Completeness	5	6.4.2 Electromagnetic compatibility	35
1.3 Safekeeping	5	6.4.3 Connecting cables to the system periphery	37
1.4 Notation conventions	5	6.4.4 Connecting the CAN bus	37
1.4.1 Hazard communication system	5	6.4.5 Wiring voltage measurement/current measurement UI	39
1.4.2 Information system	6	6.4.6 Wiring analog inputs AI	40
1.4.3 Instruction system	6	6.4.7 Wiring DI 16-110 V digital inputs	41
1.4.4 Typographic conventions	7	6.4.8 Wiring DI 16-220 V digital inputs	41
2 Safety	8	6.4.9 Wiring digital outputs DO	41
2.1 Appropriate use	8	6.4.10 Wiring resistor contact series	42
2.2 Inappropriate use	8	6.4.11 Power supply and grounding	42
2.3 Fundamental safety instructions	9	6.5 Performing tests	44
2.4 Personnel qualification	10	7 Initial steps	45
2.5 Personal protective equipment	11	7.1 Establishing connection to visualization	45
3 IT security	12	7.2 Setting the language	46
3.1 General	12	7.3 Downloading the operating instructions	47
3.2 Operation	12	8 Commissioning	48
3.3 Commissioning	12	8.1 Commissioning wizard	48
3.4 Communication interfaces	13	8.2 Function tests	48
3.5 Encryption standards	13	8.2.1 Checking measured values and status of digital inputs and outputs	49
4 Product description	14	8.2.2 Testing the device control function	49
4.1 Scope of delivery	14	8.2.3 Checking parallel operation	50
4.2 Function description of the voltage regulation	14	9 Operation	53
4.3 Performance features	15	9.1 System	53
4.4 Operating modes	16	9.1.1 General	53
4.5 Design	17	9.1.2 Configuring the network	56
4.5.1 Display, operating elements and front interface	17	9.1.3 Web visualization	57
4.5.2 LEDs	18	9.1.4 Setting the device time	57
4.5.3 Connections and fuses	19	9.1.5 Setting the screensaver	58
4.5.4 Nameplate	20	9.1.6 Configuring syslog	59
4.5.5 Safety markings	20	9.1.7 Linking signals and events	60
4.5.6 Connection diagram and grounding screw	21	9.1.8 Configuring analog inputs	62
4.5.7 Visualization	21	9.1.9 Configuring digital inputs and outputs	64
5 Packaging, transport and storage	26	9.1.10 Event management	65
5.1 Suitability and structure	26	9.1.11 User administration	67
5.2 Markings	26	9.1.12 Brute-force protection	69
5.3 Transportation, receipt and handling of shipments	26	9.1.13 Hardware	70
5.4 Storage of shipments	27	9.1.14 Software	70
6 Mounting	28	9.1.15 Import/export manager	71
6.1 Preparation	28	9.1.16 Linking to the visualization of external devices	72
6.2 Minimum distances	28		
6.3 Assembly variants	29		
6.3.1 Flush panel mounting	29		
6.3.2 Wall mounting with housing (optional)	31		

9.2 Power grid.....	74	13.14 Connection diagrams.....	131
9.2.1 Transformer data.....	74	TAPCON® 230 Pro (DI 16-110 V)	132
9.2.2 Measurement	78	TAPCON® 230 Pro (DI 16-220 V).....	135
9.2.3 Voltage monitoring.....	79	Glossary.....	138
9.2.4 Current monitoring.....	81		
9.2.5 Power monitoring	82		
9.2.6 Power flow monitoring.....	83		
9.2.7 Monitoring settings.....	84		
9.2.8 TAPCON® 2xx retrofit.....	84		
9.3 On-load tap-changer regulator.....	86		
9.3.1 Voltage regulation	86		
9.3.2 Line drop compensation	93		
9.3.3 Parallel operation	95		
9.3.4 U bandwidth monitoring.....	102		
9.4 On-load tap-changer	104		
9.4.1 Tap position monitoring.....	104		
9.4.2 Tap position capture method.....	104		
9.4.3 Target-tap-position operation	106		
9.4.4 Information about the on-load tap- changer	106		
9.5 Motor-drive unit and control cabinet	107		
9.5.1 Control of the motor-drive unit.....	107		
10 Maintenance and care	110		
10.1 Cleaning the device	110		
10.2 Updating application software.....	110		
10.2.1 Copy the application software to the PC ...	110		
10.2.2 Establishing connection to visualization....	111		
10.2.3 Updating application software.....	112		
10.3 Function extension (upgrade)	113		
11 Fault elimination.....	114		
11.1 General faults.....	114		
11.2 No regulation in AUTO mode.....	114		
11.3 Unwanted on-load tap-change operation	115		
11.4 Human-machine interface	115		
11.5 Incorrect measured values	115		
11.6 Parallel operation faults.....	116		
11.7 Tap position capture incorrect.....	117		
11.8 Other faults	117		
12 Disposal.....	119		
13 Technical data.....	120		
13.1 Display elements.....	120		
13.2 Materials	120		
13.3 Dimensions	120		
13.4 Power supply	120		
13.5 Voltage measurement and current measurement	121		
13.6 Central processing unit.....	122		
13.7 Digital inputs	124		
13.8 Digital outputs	125		
13.9 Analog inputs.....	126		
13.10 Communication interfaces	127		
13.11 Tap position capture / resistor contact series.....	129		
13.12 Ambient conditions	129		
13.13 Standards and directives	129		

1 Introduction

This technical file contains detailed descriptions on the safe and proper installation, connection, commissioning and monitoring of the product.

It also includes safety instructions and general information about the product.

This technical file is intended solely for specially trained and authorized personnel.

1.1 Manufacturer

Maschinenfabrik Reinhausen GmbH
Falkensteinstraße 8
93059 Regensburg
Deutschland
+49 941 4090-0
sales@reinhausen.com
reinhausen.com

MR Reinhausen customer portal: <https://portal.reinhausen.com>.

Further information on the product and copies of this technical file are available from this address if required.

1.2 Completeness

This technical document is incomplete without the following supporting documents:

- Connection diagrams
- Operating instructions
 - Available as a download on the device
 - Available for download at www.reinhausen.com
 - Available for download in the MR Customer Portal <https://portal.reinhausen.com>

1.3 Safekeeping

Keep this technical document and all supporting documents ready at hand and accessible for future use at all times. Download the operating instructions from the device. The operating instructions are also available on the Maschinenfabrik Reinhausen GmbH website and in the MR Customer Portal.

1.4 Notation conventions

1.4.1 Hazard communication system

Warnings in this technical file are displayed as follows.

1.4.1.1 Warning relating to section

Warnings relating to sections refer to entire chapters or sections, sub-sections or several paragraphs within this technical file. Warnings relating to sections use the following format:

▲ WARNING



Type of danger!

Source of the danger and outcome.

- > Action
- > Action

1.4.1.2 Embedded warning information

Embedded warnings refer to a particular part within a section. These warnings apply to smaller units of information than the warnings relating to sections. Embedded warnings use the following format:

▲ DANGER! Instruction for avoiding a dangerous situation.

1.4.1.3 Signal words in warning notices

Signal word	Meaning
DANGER	Indicates a hazardous situation which, if not avoided, will result in death or serious injury.
WARNING	Indicates a hazardous situation which, if not avoided, could result in death or serious injury.
CAUTION	Indicates a hazardous situation which, if not avoided, could result in minor or moderate injury.
NOTICE	Indicates measures to be taken to prevent damage to property.

Table 1: Signal words in warning notices

1.4.2 Information system

Information is designed to simplify and improve understanding of particular procedures. In this technical file it is laid out as follows:



Important information.

1.4.3 Instruction system

This technical file contains single-step and multi-step instructions.

Single-step instructions

Instructions which consist of only a single process step are structured as follows:

Aim of action

- ✓ Requirements (optional).
- > Step 1 of 1.
 - » Result of step (optional).
 - » Result of action (optional).

Multi-step instructions

Instructions which consist of several process steps are structured as follows:

Aim of action

- ✓ Requirements (optional).
- 1. Step 1.
 - » Result of step (optional).
- 2. Step 2.
 - » Result of step (optional).
 - » Result of action (optional).

1.4.4 Typographic conventions

Typographic convention	Purpose	Example
UPPERCASE	Operating controls, switches	ON/OFF
[Brackets]	PC keyboard	[Ctrl] + [Alt]
Bold	Software operating controls	Press Continue button
...>...>...	Menu paths	Parameter > Control parameter
<i>Italics</i>	System messages, error messages, signals	<i>Function monitoring</i> alarm triggered
[▶ Number of pages]	Cross reference	[▶ Page 41].
<u>Dotted underscore</u>	Glossary entry, abbreviations, definitions, etc.	<u>Glossary entry</u> .

Table 2: Typographic conventions used in this technical file

2 Safety

- Read this technical file through to familiarize yourself with the product.
- This technical file is a part of the product.
- Read and observe the safety instructions provided in this chapter.
- Read and observe the warnings in this technical file in order to avoid function-related dangers.
- The product is manufactured on the basis of state-of-the-art technology. Nevertheless, risks to life and limb for the user or impairment of the product and other material assets due to the function may arise in the event of improper use.

2.1 Appropriate use

The device keeps the output voltage of a transformer with an on-load tap-changer constant. The product is designed solely for use in stationary large-scale electrical energy systems and facilities.

If used as intended, in compliance with the requirements and conditions specified in this technical document and observing the warning notices in this technical document and attached to the product, the product does not pose a risk of injury or damage to property or the environment. This applies throughout the service life of the product, from delivery, installation and operation to removal and disposal.

The following is considered intended use:

- You will find the standard valid for the product and the year of issue on the nameplate.
- Operate the product in accordance with this technical document, the agreed-upon delivery conditions and the technical data.
- Ensure that all necessary work is performed by qualified personnel only.
- Only use the equipment and special tools included in the scope of delivery for the intended purpose and in accordance with the specifications of this technical document.
- Only operate the product in industrial areas.
- Observe the notices in this technical document regarding electromagnetic compatibility and the technical data.
- The product is intended for installation. Make sure that all fire safety precautions and protection against electric shock are met.
- Make sure that the resistance to mechanical stress is met.

2.2 Inappropriate use

Use is considered to be inappropriate if the product is used other than as described in the Intended use section. In addition, observe the following:

- The product is not a protective device. Do not use it to handle safety-related functions.
- Do not operate the product in potentially explosive areas.

2.3 Fundamental safety instructions

To prevent accidents, malfunctions and damage as well as unacceptable adverse effects on the environment, those responsible for transport, installation, operation, maintenance and disposal of the product or parts of the product must ensure the following:

Personal protective equipment

Loosely worn or unsuitable clothing increases the danger of becoming trapped or caught up in rotating parts and the danger of getting caught on protruding parts. This poses a danger to life and limb.

- Wear appropriate personal protective equipment such as a helmet, work gloves, etc. for the respective activity.
- Never wear damaged personal protective equipment.
- Never wear rings, necklaces, or other jewelry.
- If you have long hair, wear a hairnet.

Work area

Untidy and poorly lit work areas can lead to accidents.

- Keep the work area clean and tidy.
- Make sure that the work area is well lit.
- Observe the applicable laws for accident prevention in the relevant country.

Working during operation

The product may only be operated in a sound, operational condition. Otherwise it poses a danger to life and limb.

- Regularly check the operational reliability of safety equipment.
- Comply with the inspection work, maintenance work and maintenance intervals described in this technical file.

Invisible laser radiation

Looking directly into the beam or the reflected beam can cause eye damage. The beam is emitted at the optical connections or at the end of the fiber-optic cables connected to them on the assemblies. Read the chapter "Technical Data" [▶ Section 13, Page 120] for further information.

- Never look directly into the beam or the reflected beam.
- Never look into the beam with the aid of optical instruments such as a magnifying glass or a microscope.
- In the event that the laser beam strikes your eyes, close your eyes immediately and move your head out of the path of the beam.

Working with current transformers

Dangerous high voltages may occur when a current transformer is operated with an open secondary circuit. This can lead to injuries and property damage.

- Never operate a current transformer with an open secondary circuit; short-circuit the current transformer to prevent this.
- Observe the information in the current transformer operating instructions.

Handling electrical components

Electrical components can be damaged by electrostatic discharge.

- Never touch electrical components during commissioning, operation or maintenance work.
- Take suitable measures (such as covers) to ensure that personnel cannot touch components.
- Wear suitable personal protective equipment.

Explosion protection

Highly flammable or explosive gases, vapors and dusts can cause serious explosions and fire.

- Do not install or operate the product in areas where a risk of explosion is present.

Safety markings

Warning signs and safety information plates are safety markings on the product. They are an important aspect of the safety concept.

- Observe all safety markings on the product.
- Make sure all safety markings on the product remain intact and legible.
- Replace safety markings that are damaged or missing.

Ambient conditions

To ensure reliable and safe operation, the product must only be operated under the ambient conditions specified in the technical data.

- Observe the specified operating conditions and requirements for the installation location.

Modifications and conversions

Unauthorized or inappropriate changes to the product may lead to personal injury, material damage and operational faults.

- Only modify the product after consultation with Maschinenfabrik Reinhausen GmbH.

Spare parts

Spare parts not approved by Maschinenfabrik Reinhausen GmbH may lead to physical injury, damage to the product and malfunctions.

- Only use spare parts that have been approved by Maschinenfabrik Reinhausen GmbH.
- Contact Maschinenfabrik Reinhausen GmbH.

2.4 Personnel qualification

The person responsible for assembly, commissioning, operation, maintenance and inspection must ensure that the personnel are sufficiently qualified.

Electrically skilled person

The electrically skilled person has a technical qualification and therefore has the required knowledge and experience, and is also conversant with the applicable standards and regulations. The electrically skilled person is also proficient in the following:

- Can identify potential dangers independently and is able to avoid them.
- Is able to perform work on electrical systems.
- Is specially trained for the working environment in which (s)he works.
- Must satisfy the requirements of the applicable statutory regulations for accident prevention.

Electrically trained persons

An electrically trained person receives instruction and guidance from an electrically skilled person in relation to the tasks undertaken and the potential dangers in the event of inappropriate handling as well as the protective devices and safety measures. The electrically trained person works exclusively under the guidance and supervision of an electrically skilled person.

Operator

The operator uses and operates the product in line with this technical file. The operating company provides the operator with instruction and training on the specific tasks and the associated potential dangers arising from improper handling.

Technical Service

We strongly recommend having maintenance, repairs and retrofitting carried out by our Technical Service department. This ensures that all work is performed correctly. If maintenance is not carried out by our Technical Service department, please ensure that the personnel who carry out the maintenance are trained and authorized by Maschinenfabrik Reinhausen GmbH to carry out the work.

Authorized personnel

Authorized personnel are trained by Maschinenfabrik Reinhausen GmbH to carry out special maintenance.

2.5 Personal protective equipment

Personal protective equipment must be worn during work to minimize risks to health.

- Always wear the personal protective equipment required for the job at hand.
- Never wear damaged personal protective equipment.
- Observe information about personal protective equipment provided in the work area.

Protective clothing	Close-fitting work clothing with a low tearing strength, with tight sleeves and with no protruding parts. It mainly serves to protect the wearer against being caught by moving machine parts.
Safety shoes	To protect against falling heavy objects and slipping on slippery surfaces.
Safety glasses	To protect the eyes from flying parts and splashing liquids.
Visor	To protect the face from flying parts and splashing liquids or other dangerous substances.
Hard hat	To protect against falling and flying parts and materials.
Hearing protection	To protect against hearing damage.
Protective gloves	To protect against mechanical, thermal, and electrical hazards.

Table 3: Personal protective equipment

3 IT security

Observe the following recommendations to operate the product safely.

3.1 General

- Ensure that only authorized personnel have access to the device.
- Only use the device within an ESP (electronic security perimeter). Do not connect the device to the Internet in an unprotected state. Use mechanisms for vertical and horizontal network segmentation and security gateways (firewalls) at the transition points.
- Ensure that the device is only operated by trained personnel who are familiar with IT security.
- Check regularly whether software updates are available for the device and perform the updates.

3.2 Operation

Observe the following recommendations during device operation:

- Change the password at regular intervals.
- Export the security log [► Section 9.1.15.1, Page 71] at regular intervals.
- Check the log files regularly for unauthorized system access and other security-related events.

3.3 Commissioning

Observe the following recommendations for device commissioning:

- User IDs must be unique and assignable. Do not use a "Group account" function or the "Auto login" function.
- Activate the "Auto logout [► Section 9.1.1.2, Page 53]" function.
- Restrict the rights of the individual user groups as much as is feasible; this helps avoid errors during operations. A user with the "Operator" role, for example, should only perform operations and should not be able to change any device settings.
- Delete or disable the default "admin" user ID. This requires first creating a new user account with the "Administrator" role. You can then use it to delete or disable the default "admin" account.
- Deactivate service user access.
- Activate brute-force protection [► Section 9.1.12, Page 69].
- Enable SSL/TLS encryption [► Section 9.1.1, Page 53]; access to the device is then only possible using the SSL/TLS protocol. In addition to encrypting communication, this protocol also checks the authenticity of the server.
- Integrate the device into a public key infrastructure. Create your own SSL certificates for this if necessary and then import them.
- Connect the device to a central log server by using the syslog interface.
- Deactivate all unused interfaces.

3.4 Communication interfaces

Interface	Protocol	Port	Description
X2	-	-	-
X3	TCP	80	HTTP for web-based visualization ¹
X3	TCP	443	HTTPS for web-based visualization
X3	TCP	22	SSH server ²
X4	-	-	-
X5	-	-	-

Table 4: Interfaces and open ports

3.5 Encryption standards

The device supports the following TLS versions:

- TLS 1.0
- TLS 1.1
- TLS 1.2
- TLS 1.3

The device uses the following cipher suites for a TLS-secured connection:

	Key exchange	Authentication		Encryption	Key length	Operating mode	Hash function
TLS	ECDHE	RSA	WITH	AES	128	CBC	SHA
	DHE						SHA265
	ECDHE	ECDSA				GCM	SHA256
	ECDH					256	CBC
	RSA				GCM		
							GCM

Table 5: Cipher suite

The device uses the SHA512 hash function to save passwords.

¹ Port is closed if you activate the device's SSL encryption.

² SSH is disabled when MR service access is disabled.

4 Product description

4.1 Scope of delivery

Check the shipment for completeness based on the shipping documents.

- Voltage regulator
- RJ45 patch cables
- Shield clamps
- Plug connectors
- Tension clamps
- Technical documents
- Additional nameplate
- Terminating resistor for CAN bus
- Terminating resistor for RS485 bus

Optional

- Housing for wall mounting
- Device type-dependent:
 - Ethernet to FO converter (SFP module)
 - Serial to FO converter

4.2 Function description of the voltage regulation

The device keeps the output voltage of a transformer with an on-load tap-changer constant.

The device compares the transformer's measured voltage (U_{actual}) with a defined reference voltage (U_{desired}). The difference between U_{actual} and U_{desired} is the control deviation dU .

The device parameters can be adjusted to the line voltage behavior to achieve a balanced control response with the on-load tap-changer only performing a small number of tap-change operations.

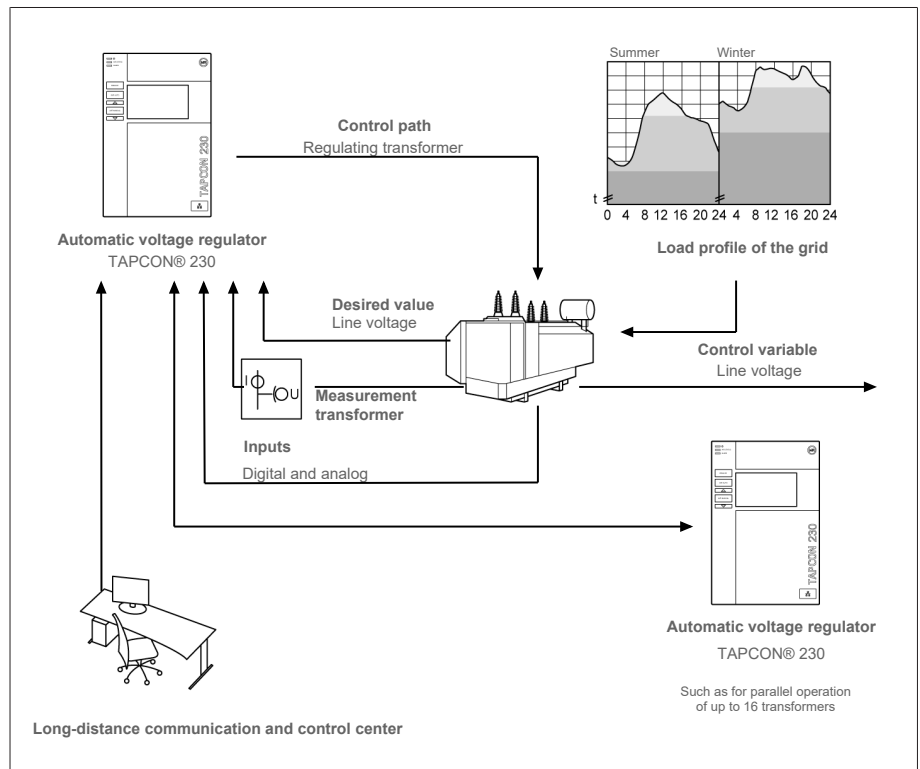


Figure 1: Overview of voltage regulation

4.3 Performance features

- Web-based visualization
- Automatic voltage regulation
 - 1 to 3 desired values
- Desired value setting
 - Analog
 - Using TDSC
- Line drop compensation
 - R&X compensation: Compensation for voltage drops on the line
 - Z compensation: Compensation for voltage fluctuations in the meshed grid
- Integrated monitoring functions:
 - Voltage monitoring
 - Current monitoring
 - Apparent power monitoring
 - Active power monitoring
 - Reactive power monitoring
 - Power factor monitoring
- Display of all measured values such as voltage, current, active power, apparent power and reactive power
- Tap position capture
 - BCD code
 - Dual code
 - Gray code
 - Resistor contact series
 - N/O contact series
 - Analog

- Parallel operation of up to 16 transformers in 2 groups using the following methods:
 - Master (tap synchronization)
 - Follower (tap synchronization)
 - Automatic tap synchronization
 - Circulating reactive current
 - Power factor

4.4 Operating modes

Auto mode (AVR AUTO)

In auto mode, the device automatically regulates the voltage in accordance with the set parameters. It is not possible to perform manual tap-change operations using operating controls or inputs.

Manual mode (AVR MANUAL)

In manual mode, you can perform manual tap-change operations to increase or decrease the voltage. There is no automatic voltage regulation.

Local mode (LOCAL)

In local mode, you can make entries and issue commands using the device's operating controls. You cannot use inputs to make entries or issue commands.

Remote mode (REMOTE)

In remote mode, you can make entries and issue commands using digital inputs.

	AVR AUTO		AVR MANUAL	
	LOCAL	REMOTE	LOCAL	REMOTE
Automatic regulation	Yes	Yes	No	No
Tap-change operation via operating elements	No	No	Yes	No
Tap-change operation via inputs	No	No	No	Yes

Table 6: Overview of operating modes

4.5 Design

4.5.1 Display, operating elements and front interface

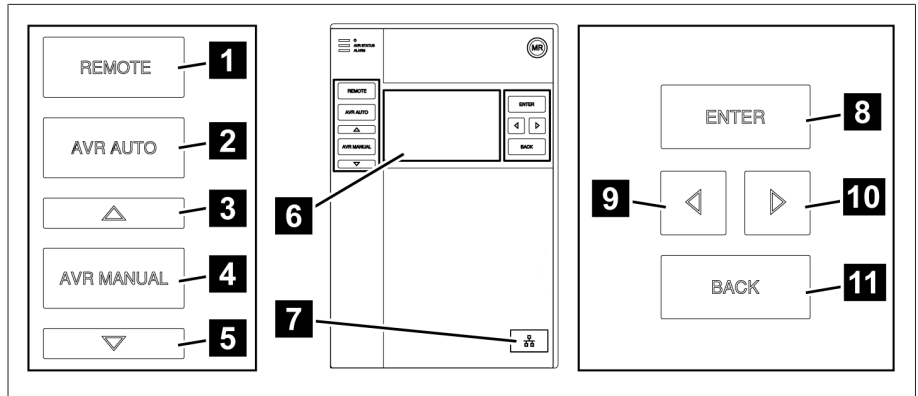


Figure 2: Voltage regulator

1	REMOTE key ³	Activate REMOTE mode
2	AUTO key	Activate AUTO mode
3	RAISE key ⁴	Send a control command to the motor-drive unit to increase the voltage.
4	MANUAL key	Activate MANUAL mode
5	LOWER key ⁴	Send a control command to the motor-drive unit to reduce the voltage.
6	Display	-
7	Front interface	RJ45 Ethernet interface
8	ENTER key	Confirm selection/save modified parameters
9	LEFT cursor	Navigate to the left in the menu
10	RIGHT cursor	Navigate to the right in the menu
11	BACK key	Exit the current menu. Return to the previous menu level

³ Key without function if a digital input is used to toggle between LOCAL/REMOTE.

⁴ Only possible in manual mode.

4.5.2 LEDs

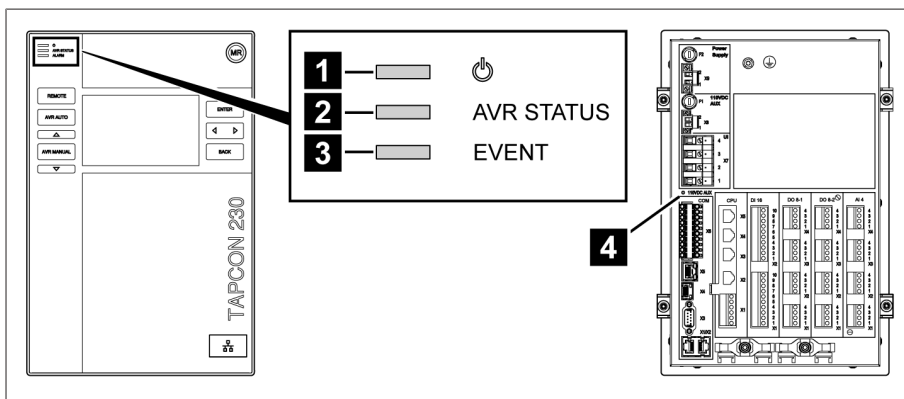


Figure 3: LEDs

1	Power supply LED	Blue	Illuminates when the device is supplied with power.
2	AVR STATUS LED	Red	Illuminates when the device is in the error state.
		Yellow	Illuminates when the device starts or has been paused; e.g. during a software update.
		Blue	Illuminates when the device is in the operating state.
3	ALARM LED	Red	Illuminates as soon as a red event is present.
		Yellow	Illuminates as soon as a yellow event is present.
		Blue	Illuminates if there are no events or a gray event is present.
4	LED X8 110 V DC output	Yellow	Lights up when the 110 V DC output is active.

4.5.3 Connections and fuses

The connections are located on the rear of the device. You will find more information on the connections in the Technical data [► Section 13, Page 120] section.

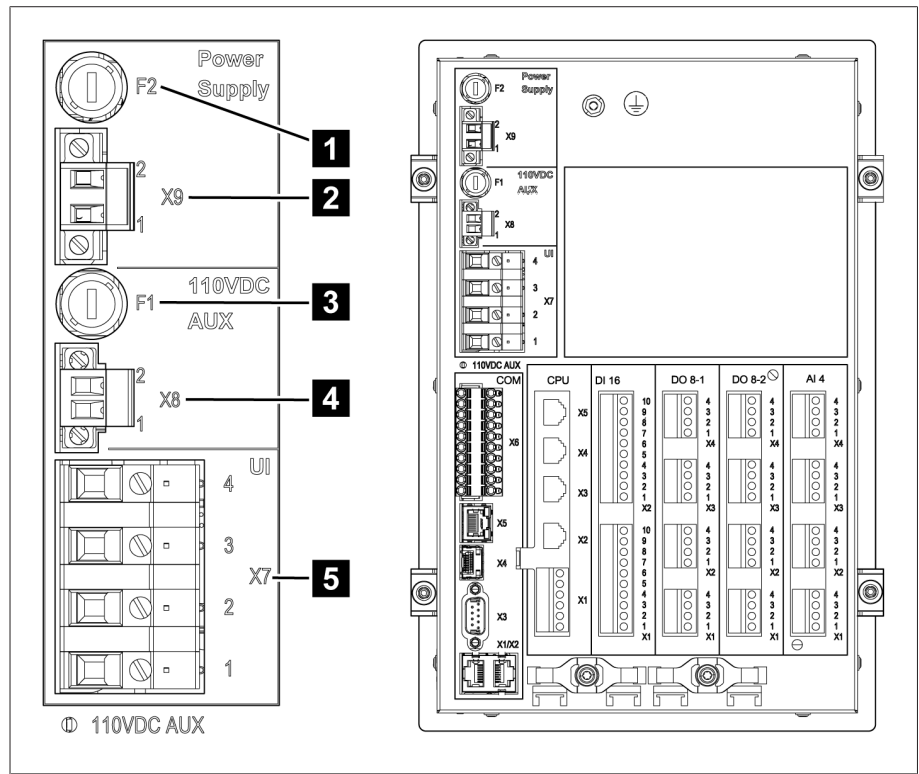


Figure 4: Rear

1	F2	Internal fuse for the power supply	2	X9	Power supply
3	F1	Internal fuse for the Auxiliary supply voltage source 110 V DC AUX ⁵	4	X8	Auxiliary supply voltage source 110 V DC AUX ⁵
5	X7	Voltage measurement/ current measurement			

⁵ Can be used for supplying the digital inputs on devices with DI 16-110 V. Check which version you have by looking at the connection terminal designation on the rear of the device.

Connections and terminals

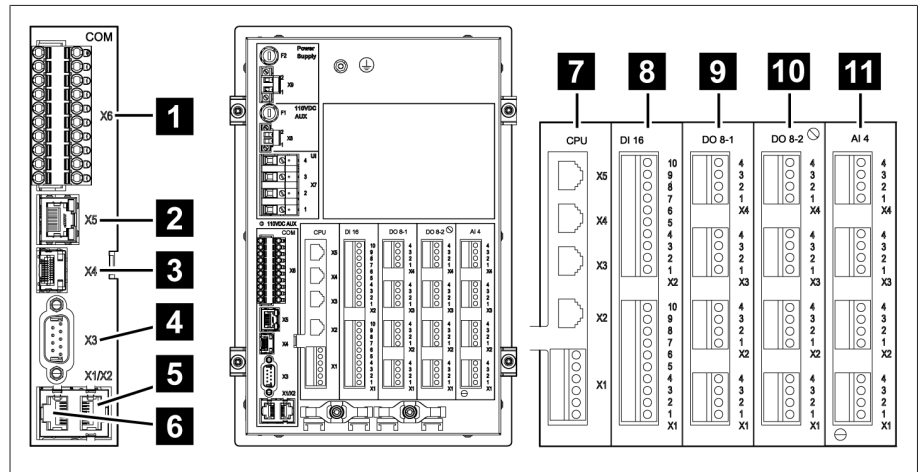


Figure 5: Connections/terminals

1	COM-X6	CAN bus/resistor contact series	2	COM X5	No function
3	COM X4	No function	4	COM X3	No function
5	COM X2	Interface for visualization via the front interface	6	COM X1	No function
7	CPU	Central processing unit	8	DI 16-110 V DI 16-220 V	Digital inputs ⁶
9	DO 8-1	Digital outputs	10	DO 8-2	Digital outputs
11	AI 4	Analog inputs			

4.5.4 Nameplate

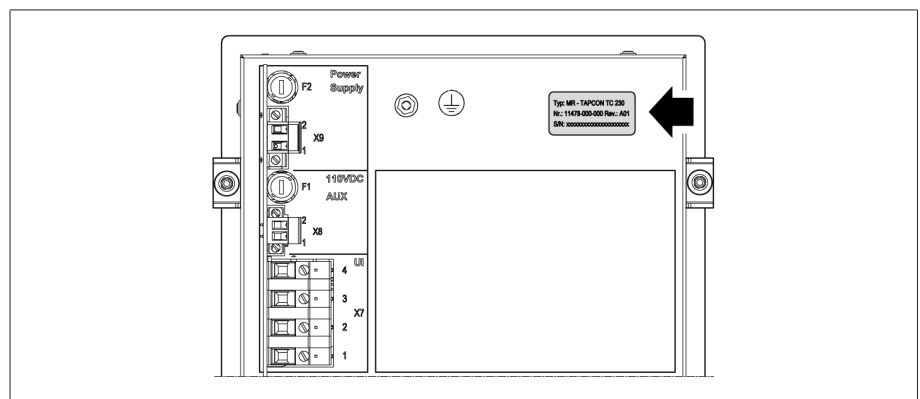


Figure 6: Nameplate on the rear of the device

4.5.5 Safety markings

	Warning of a danger point. Read the information given in the product operating instructions.
--	--

⁶ Check which version you have by looking at the connection terminal designation on the rear of the device.

4.5.6 Connection diagram and grounding screw

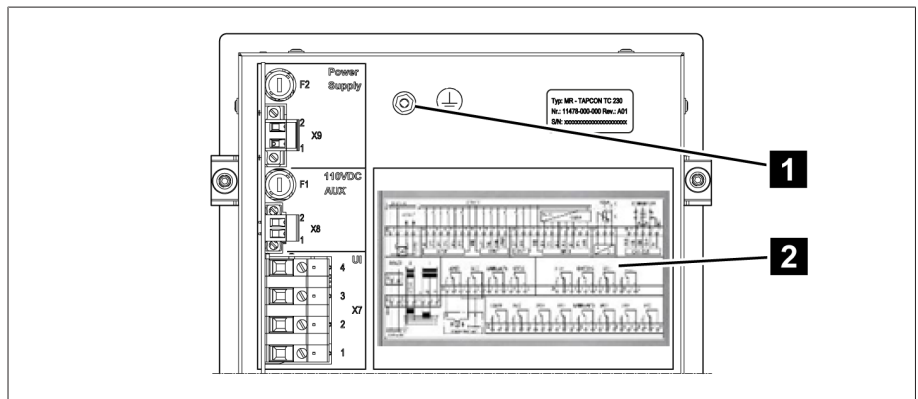


Figure 7: Connection diagram/grounding screw

1	Grounding screw	2	Connection diagram
---	-----------------	---	--------------------

4.5.7 Visualization

4.5.7.1 Main screen

Home

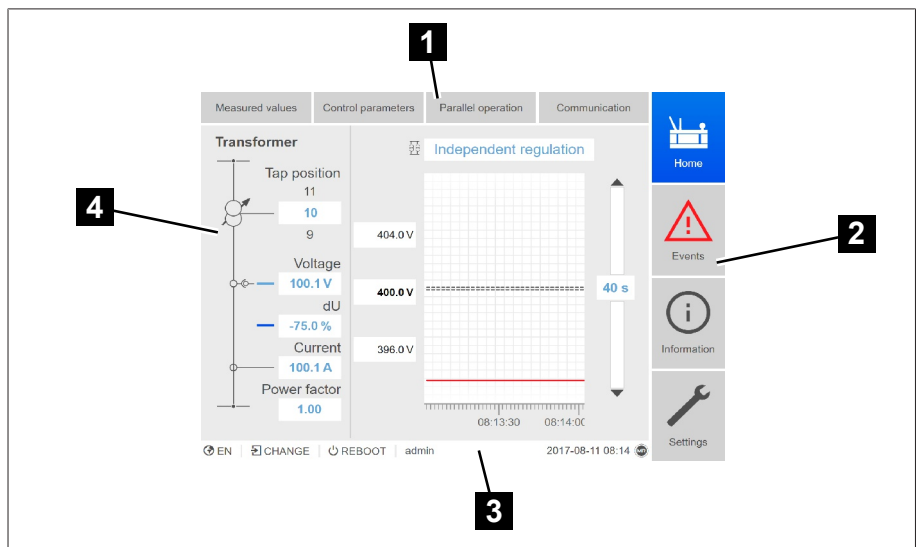


Figure 8: Home

1	Secondary navigation or navigation path	2	Primary navigation
3	Status bar	4	Display area

Measured values/display

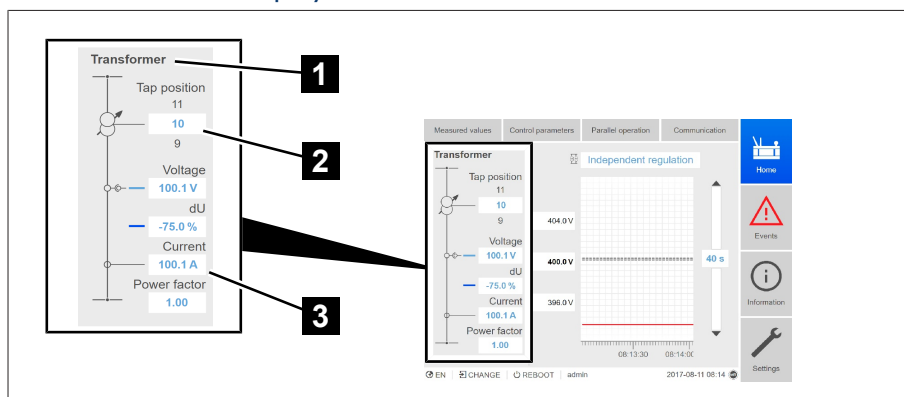


Figure 9: Measured values/display

1	Transformer name (can be edited)	2	Tap position
3	Actual measured values: Voltage, control deviation with correction, current, power factor		

Desired values/actual values/delay time

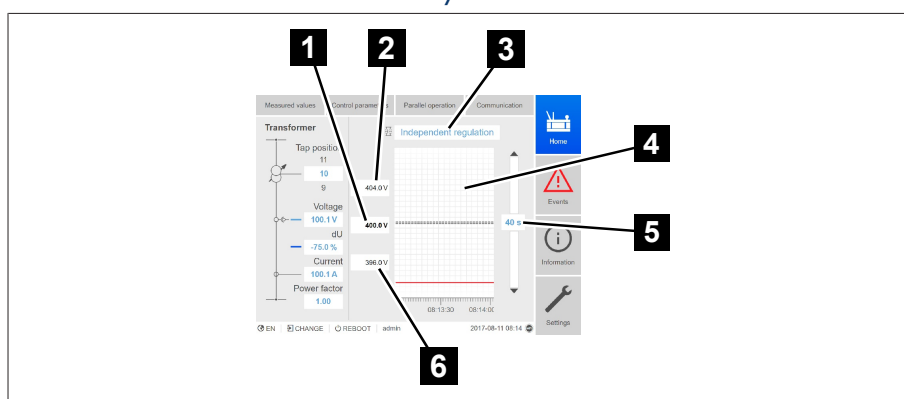


Figure 10: Desired values/actual values/delay time

1	Desired value	2	Upper limit of bandwidth
3	Mode: Independent mode/parallel operation	4	Trend of corrected voltage (correction due to compensation or parallel operation)
5	Delay time T1/T2	6	Lower limit of bandwidth

4.5.7.2 Operating concept

You can operate the device using the controls on the front panel or using the web-based Intuitive Control Interface visualization on a PC. The scope of function and structure of both options is virtually identical.

User rights and user roles

The device is equipped with a rights system and a roles system. The display and access rights to device settings or events can therefore be controlled at the user level. You can configure the rights system and roles system to meet your requirements. You will find more information in the User administration [► Section 9.1.11, Page 67] section.

i You can only modify the device settings or parameters if you have the necessary user rights.

Logging in, logging out and changing users

The control of access rights to device settings and parameters is user-based. Several users can log in at the same time via the visualization and access the device.





If you want to operate the device via the controls and visualization at the same time, you have to log in on the device and via the visualization.

1. Select the **LOGIN** or **CHANGE** button in the status line.
2. Enter your user name and password and select the **OK** button.
 - » The name of the logged-in user appears in the status line.

To log out as a user, proceed as follows:

- > Press the **LOGOUT** button in the status line.

Navigation

If you are operating the device using the operating controls on the front panel, you can use the keys  and  to navigate through the entire menu. The menu currently selected has a blue border. To open the highlighted menu, you have to press the  key. Pressing the  key returns you to the previous menu level.

If you are operating the device using the web-based visualization, you can navigate by clicking on the appropriate buttons:






1. Go to **Settings**.
2. Go to **Parameters**.
3. Go to **System**.
4. Go to **Time synchronization**.
5. Select **Time**.




In these operating instructions, the path for navigating to a parameter is always shown in an abridged form: Go to **Settings > Parameters > System > Time synchronization**.

Setting parameters

There are various ways to configure the settings, depending on the parameter.

Selecting from a list

1. Use  to navigate to the list and press .
2. Use  or  to highlight the list entry and press .
3. Press the **Accept** button to save the modified parameter.

- Entering a value**
1. Use  or  to select the value field and press .
 - » If operating via the front panel, the numerical keypad appears.

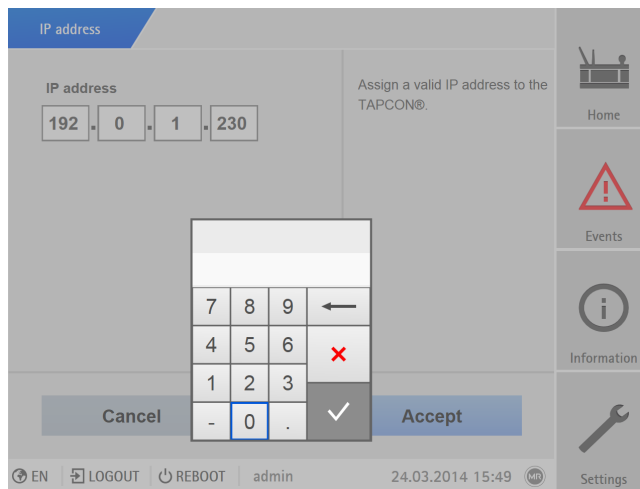






Figure 11: Entering a value

2. Enter the desired value and confirm with .
3. Press the **Accept** button to save the modified parameter.

- Entering text**
1. Use  or  to select the text box and press .
 - » If operating via the front panel, the keyboard appears.

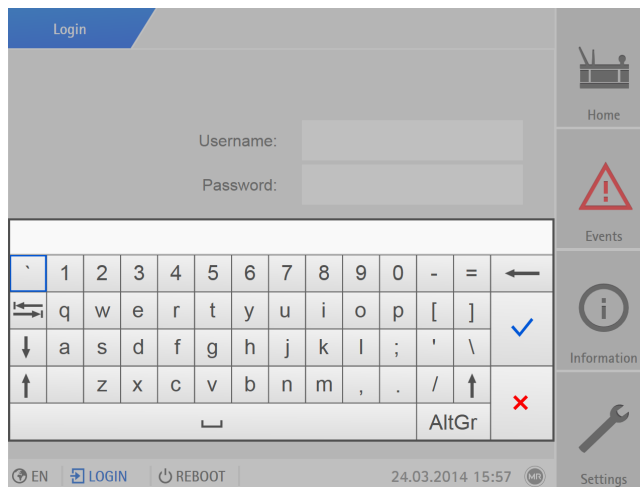



Figure 12: Entering text

2. Enter the desired text and confirm with .
3. Press the **Accept** button to save the modified parameter.

Parameter search

You can use the quick search function in the parameter menu to search for a parameter. Enter the name of the desired parameter in the **Search** entry field.

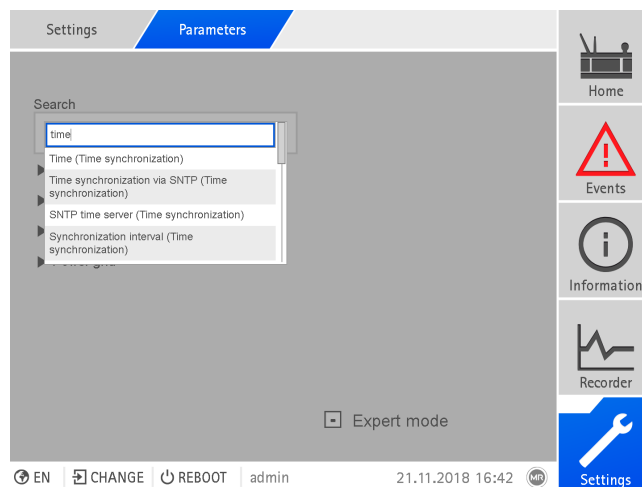


Figure 13: Quick search

Expert mode

The device has an expert mode for entering the parameters. You can enter the parameters directly on the overview screen of the respective menu in this mode.

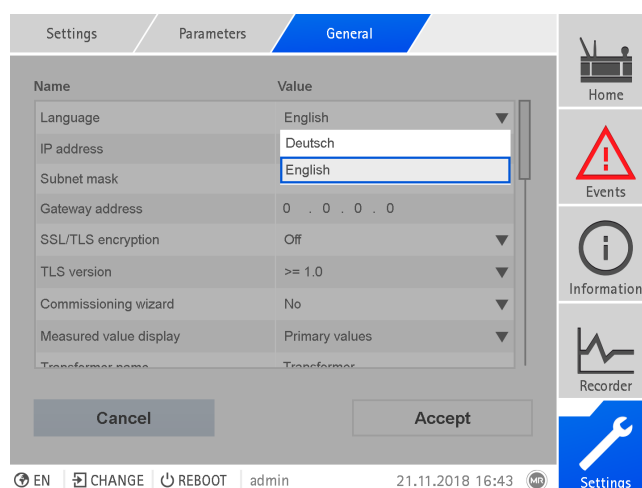


Figure 14: Expert mode

To activate the expert mode, proceed as follows:

1. Go to **Settings > Parameters**.
2. Select the **Expert mode** checkbox.
 - » Expert mode is active.

Hiding/showing parameters

Depending on how you set the parameters, the device will hide or show additional parameters related to this function.

5 Packaging, transport and storage

5.1 Suitability and structure

The goods are packaged in a sturdy cardboard box. This ensures that the shipment is secure when in the intended transportation position and that none of its parts touch the loading surface of the means of transport or touch the ground after unloading.

The box is designed for a maximum load of 10 kg.

Inlays inside the box stabilize the goods, preventing impermissible changes of position, and protect them from vibration.

5.2 Markings

The packaging bears a signature with instructions for safe transport and correct storage. The following symbols apply to the shipment of non-hazardous goods. Adherence to these symbols is mandatory.


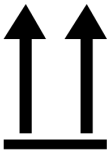



				
Protect against moisture	Top	Fragile	Attach lifting gear here	Center of mass

Table 7: Shipping pictograms

5.3 Transportation, receipt and handling of shipments

In addition to oscillation stress, jolts must also be expected during transportation. In order to prevent possible damage, avoid dropping, tipping, knocking over and colliding with the product.

If a crate tips over, falls from a certain height (e.g. when slings tear) or experiences an unbroken fall, damage must be expected regardless of the weight.

Every delivered shipment must be checked for the following by the recipient before acceptance (acknowledgment of receipt):

- Completeness based on the delivery slip
- External damage of any type

The checks must take place after unloading when the crate or transport container can be accessed from all sides.

- Visible damage** If external transport damage is detected on receipt of the shipment, proceed as follows:
- Immediately record the transport damage found in the shipping documents and have this countersigned by the carrier.
 - In the event of severe damage, total loss or high damage costs, immediately notify the sales department at Maschinenfabrik Reinhausen and the relevant insurance company.
 - After identifying damage, do not modify the condition of the shipment further and retain the packaging material until an inspection decision has been made by the transport company or the insurance company.
 - Record the details of the damage immediately onsite together with the carrier involved. This is essential for any claim for damages!
 - If possible, photograph damage to packaging and packaged goods. This also applies to signs of corrosion on the packaged goods due to moisture inside the packaging (rain, snow, condensation).
 - Be absolutely sure to also check the sealed packaging.
- Hidden damage** When damages are not determined until unpacking after receipt of the shipment (hidden damage), proceed as follows:
- Make the party responsible for the damage liable as soon as possible by telephone and in writing, and prepare a damage report.
 - Observe the time periods applicable to such actions in the respective country. Inquire about these in good time.
- With hidden damage, it is very hard to make the transportation company (or other responsible party) liable. Any insurance claims for such damages can only be successful if relevant provisions are expressly included in the insurance terms and conditions.

5.4 Storage of shipments

When selecting and setting up the storage location, ensure the following:

- Protect stored goods against moisture (flooding, water from melting snow and ice), dirt, pests such as rats, mice, termites and so on, and against unauthorized access.
- Store the crates on timber beams and planks as a protection against rising damp and for better ventilation.
- Ensure sufficient carrying capacity of the ground.
- Keep entrance paths free.
- Check stored goods at regular intervals. Also take appropriate action after storms, heavy rain or snow and so on.

6 Mounting

⚠ DANGER



Electric shock!

Risk of fatal injury due to electrical voltage. Always observe the following safety regulations when working in or on electrical equipment.

- > Disconnect the equipment.
- > Lock the equipment to prevent an unintentional restart.
- > Make sure all poles are de-energized.
- > Ground and short-circuit.
- > Cover or cordon off adjacent energized parts.

⚠ WARNING



Electric shock!

Dangerous high voltages may occur when a current transformer is operated with an open secondary circuit. This can lead to death, injuries and property damage.

- > Never operate a current transformer with an open secondary circuit; short-circuit the current transformer to prevent this.
- > Observe the information in the current transformer operating instructions.

NOTICE

Damage to the device!

Electrostatic discharge may cause damage to the device.

- > Take precautionary measures to prevent the build-up of electrostatic charges on work surfaces and personnel.

6.1 Preparation

The following tools are needed for mounting:

i Depending on the installation site and mounting version, you may need additional tools and corresponding attachment material, such as screws, nuts and washers which are not included in the scope of delivery.

- Depending on mounting version:
 - Electric jigsaw for flush panel mounting.
 - Drill for wall mounting (wall mounting with housing).
- Screwdriver for connecting the signal lines and supply lines.

6.2 Minimum distances

NOTICE

Damage to the device!

Insufficient circulation of ambient air can result in damage to the device due to overheating.

- > Keep the ventilation slots clear.
- > Ensure sufficient distance to neighboring components.
- > Only mount device in horizontal position (ventilation slots are at the top and bottom).

To the base of the control cabinet	Minimum clearance: 88.9 mm (3.5 in) Equivalent to 2RU
To the roof of the control cabinet	
Between the device and other assemblies on offset cap rails	

Table 8: Minimum clearances in the control cabinet

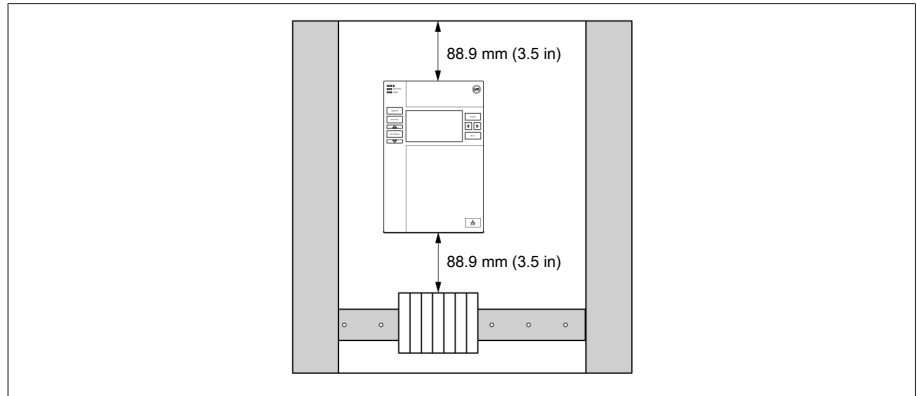


Figure 15: Minimum clearances

For other installation types, contact Maschinenfabrik Reinhausen GmbH.

6.3 Assembly variants

6.3.1 Flush panel mounting

The device can be mounted in a control panel using tension clamps. The recommended wall thickness is 2...5 mm.

Dimensions for the control panel cutout

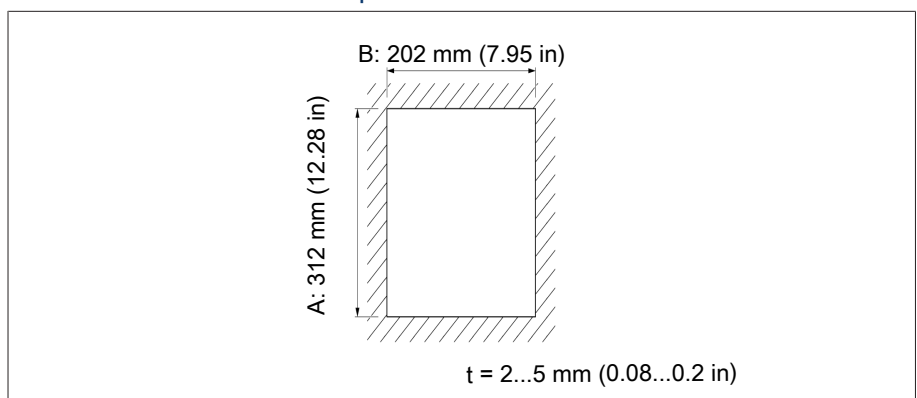


Figure 16: Dimensions for the cutout

1. Cut out the section for the control panel.

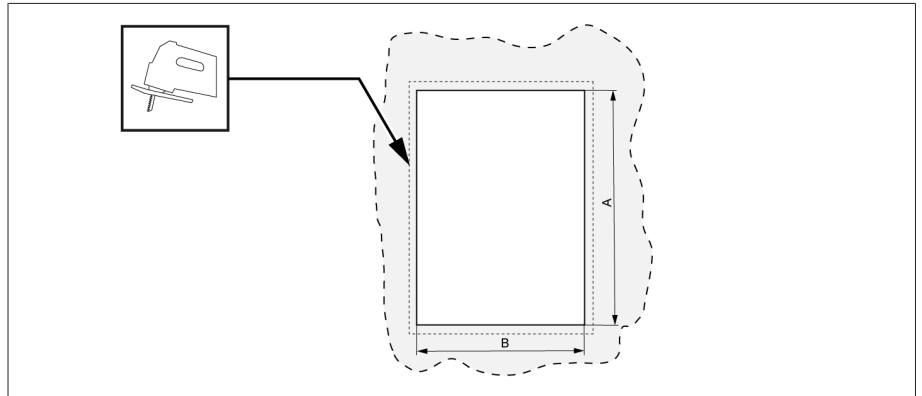


Figure 17: Cutting out the section for the control panel

2. Push the device into the cutout from the front.

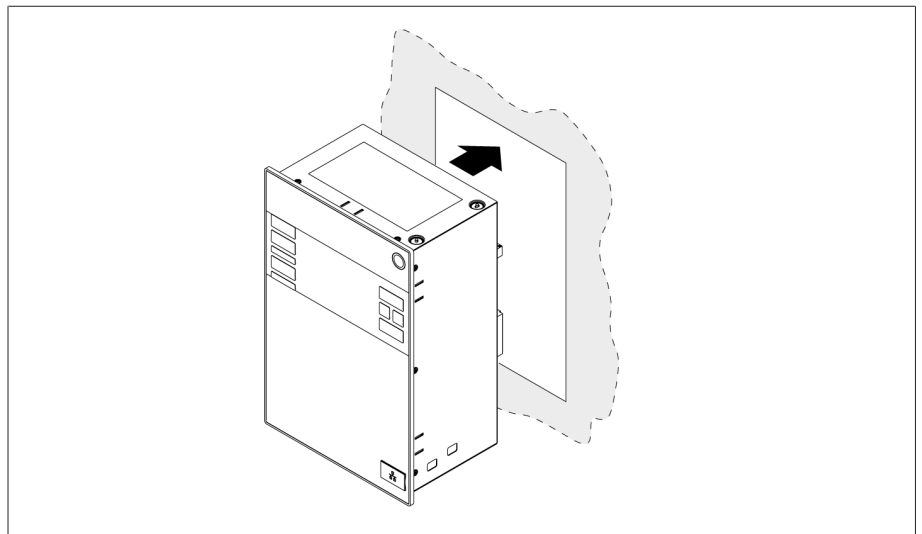


Figure 18: Pushing the device into the cutout

3. Insert the tension clamps included in the delivery.

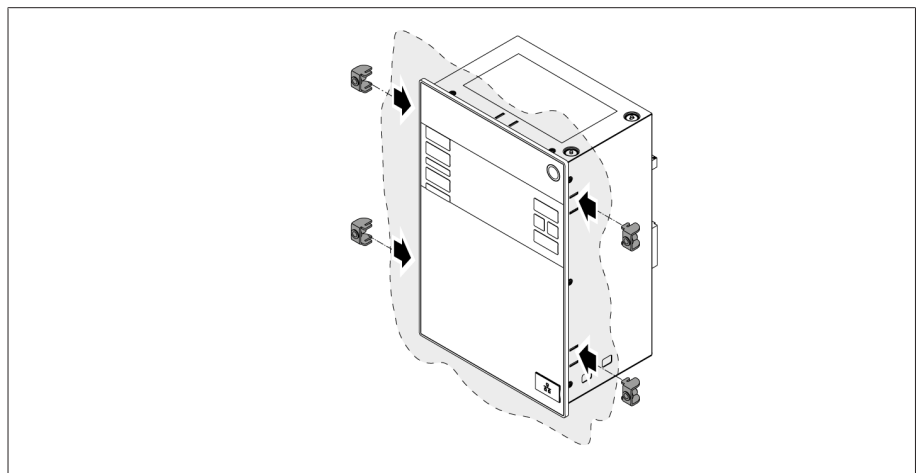


Figure 19: Inserting the device into the cutout

4. Screw the threaded pins into the tension clamps and secure the device.

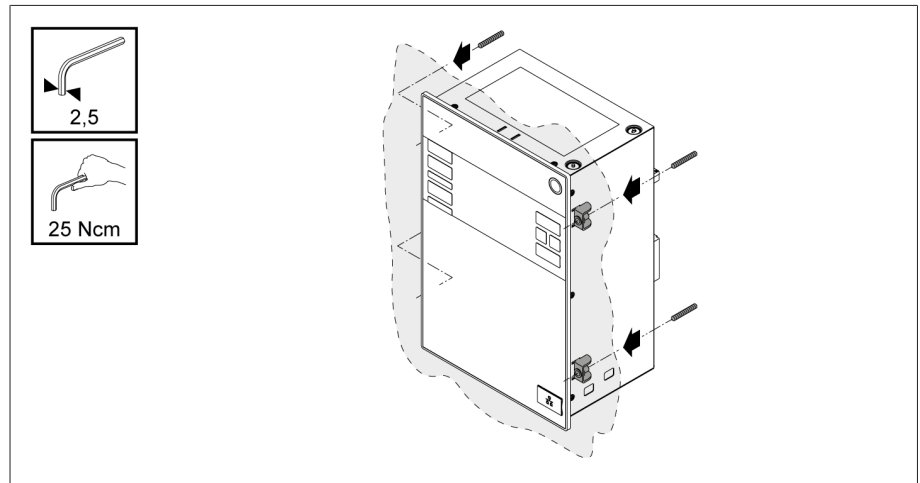


Figure 20: Securing the device

» The device is mounted and can be wired up.

6.3.2 Wall mounting with housing (optional)

For wall mounting, the device is fixed to the wall in a housing using wall brackets. Use the supplied tension clamps to install the device in the housing.

6.3.2.1 Drill holes for wall mounting

Drill 4 holes, each 6.8 mm in diameter, in the wall as shown in the drilling template below.

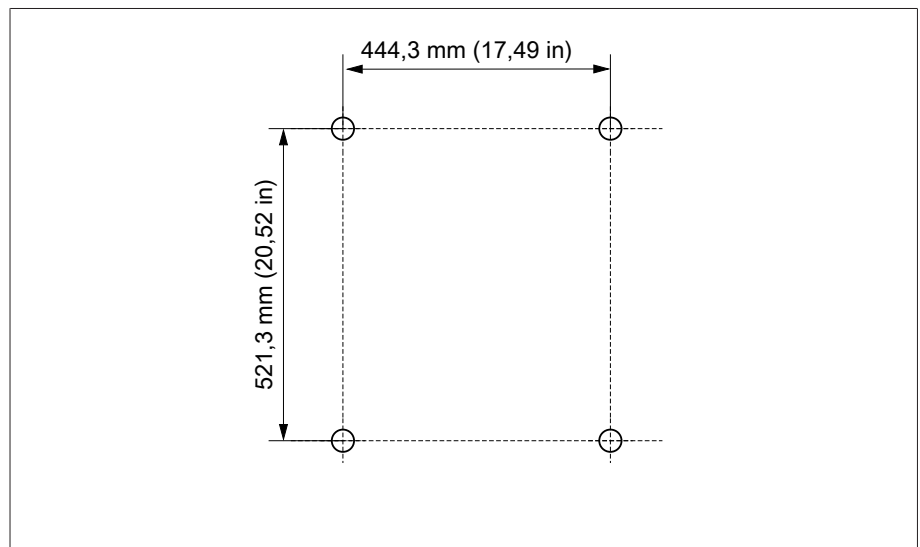


Figure 21: Drilling template for the housing

6.3.2.2 Affixing the housing to the wall



The screws for wall mounting are not included in the scope of supply. The screw length required depends on the wall thickness.

- ✓ **NOTICE!** Damage to the housing due to open door. Close the door of the housing to prevent damage during wall mounting.
- > Fix the housing to the wall using 4 screws (M8).

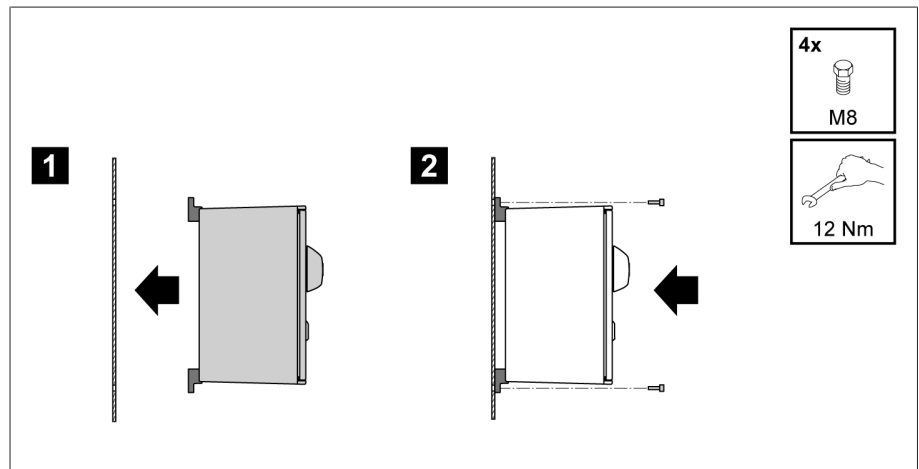


Figure 22: Wall mounting

- » The device is mounted and can be wired up.

Proceed with wiring as shown in the connection diagram and as described in the "Connecting device" section.

6.3.2.3 Installing the device in the housing

- ✓ Open the housing swing frame.
- 1. Push the device into the housing swing frame from the front.

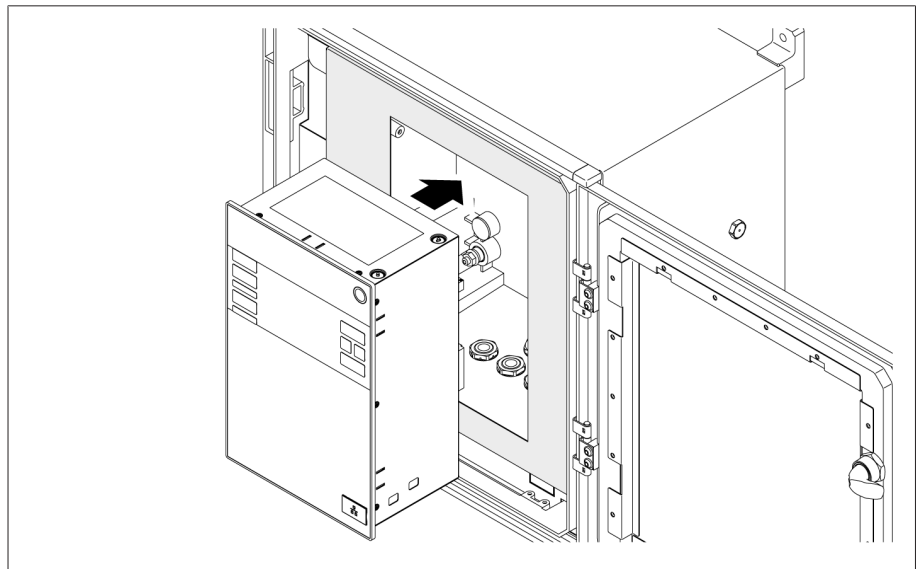


Figure 23: Pushing the device into the swing frame

2. Insert the tension clamps included in the delivery.

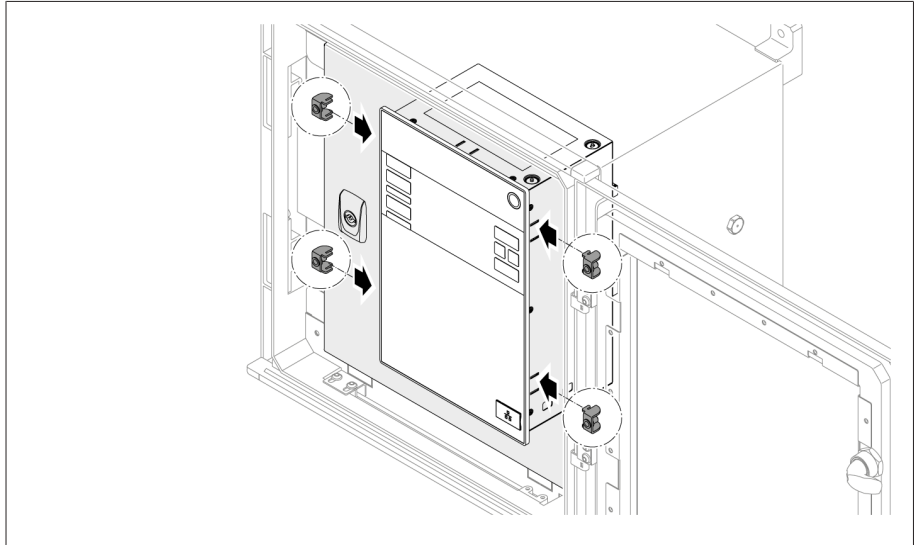


Figure 24: Inserting the device into the cutout

3. Screw the threaded pins into the hole in the tension clamp and secure the device.

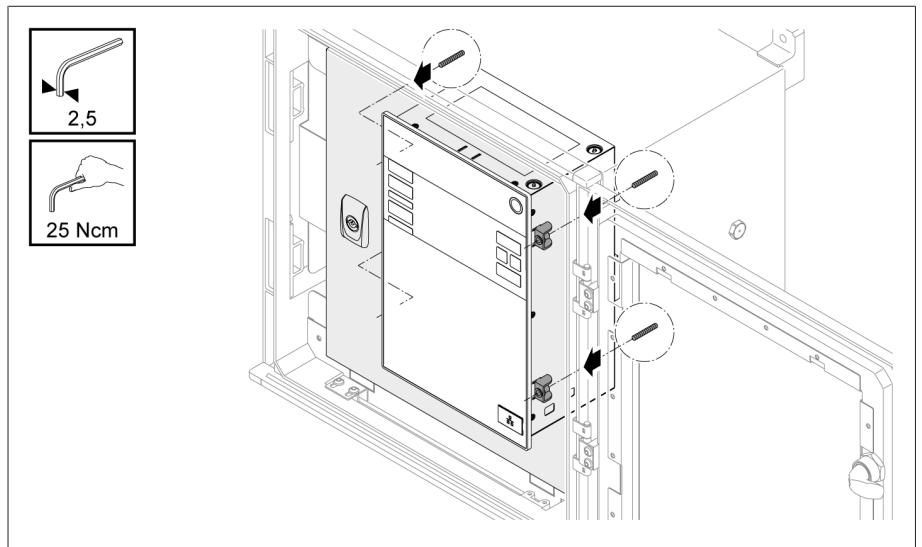


Figure 25: Securing the device

» The device is mounted and can be wired up.

6.4 Connecting device

▲ WARNING



Electric shock!

Connection errors can lead to death, injury or property damage.

- > Ground the device with a protective conductor using the grounding screw on the housing.
- > Note the phase difference of the secondary terminals for the current transformer and voltage transformer.
- > Connect the output relays correctly to the motor-drive unit.



Supply the voltage via separators and ensure that current paths can be short-circuited. Fit the separator, clearly labeled and freely accessible, close to the device's power supply. This ensures that the device can be replaced with ease in the event of a defect.

Wiring information

- To obtain a better overview when connecting cables, only use as many cables as necessary.
 - Observe the connection diagram [▶ Section 13.14, Page 131].
 - Only use the specified cables for wiring. Note the cable recommendation [▶ Section 6.4.1, Page 34].
 - **NOTICE!** Damage to the terminals! Tightening the screws too tightly can damage the screw terminals. When fastening the screw terminals, make sure that the tightening torque is 0.4 Nm.
 - Wire the leads to the system periphery.
 - For wall mounting with housing (optional):
 - When wiring the device, use the cable glands below the housing if necessary.
 - **NOTICE!** Damage to the device! If any cable glands remain open, the IP degree of protection cannot be assured. Close off unused cable glands using dummy plugs.
1. Disconnect the connectors required.
 2. Strip insulation from cables and wires.
 3. Crimp stranded wires with wire end sleeves.
 4. Guide leads into corresponding connector terminals.
 5. Fasten screws for the corresponding terminals using a screwdriver.
 6. Plug connectors into the correct slots.
 7. Equip the cable harnesses with strain relief.

6.4.1 Cable recommendation

Please note the following Maschinenfabrik Reinhausen recommendation when wiring the device.



Excessive line capacitance can prevent the relay contacts from interrupting the contact current. In control circuits operated with alternating current, take into account the effect of the line capacitance of long control cables on the function of the relay contacts. If you want to route Ethernet connections from a control cabinet or building, we recommend using fiber-optic cables (in accordance with the IEC 61850-90-4 recommendation).

Cable	Interface	Cable type	Conductor cross-section	Max. length
Power supply (external)	X9	Unshielded	1.5 mm ²	-
Voltage measurement	UI-X7	Shielded	2.5 mm ²	-
Current measurement	UI-X7	Unshielded	2.5 mm ²	-
Digital signal inputs	DI 16	Shielded	1.5 mm ²	400 m (<25 Ω/km)
Digital signal outputs ⁷	DO 8	Shielded	1.5 mm ²	-
Analog signal inputs	AI 4	Shielded	1 mm ²	400 m (<25 Ω/km)
RS232, D-SUB 9-pole	COM X3	Shielded	0.25 mm ²	25 m
RS485	COM-X6	Shielded	0.25 mm ²	140 m
CAN bus	COM-X6	Shielded	0.75 mm ²	2,000 m (total CAN bus)
Ethernet RJ45	X2, X3	Min. CAT5, shielded S/FTP	-	100 m
Ethernet FO	COM X4	Duplex LC multimode, Om3, 1,310 nm	-	2,000 m
110 V DC output	X8	Unshielded	1.5 mm ²	-
RJ45 patch cables	-	Min. CAT5, shielded S/FTP	-	approx. 30 cm

Table 9: Recommendation for connection cables

6.4.2 Electromagnetic compatibility

The device has been developed in accordance with applicable EMC standards. The following points must be noted in order to maintain the EMC standards.

6.4.2.1 Wiring requirement of installation site

Note the following when selecting the installation site:

- The system's overvoltage protection must be effective.
- The system's ground connection must comply with all technical regulations.
- Separate system parts must be joined by a potential equalization.
- The device and its wiring must be at least 10 m away from circuit-breakers, load disconnectors and busbars.

6.4.2.2 Wiring requirement of operating site

Note the following when wiring the operating site:

- Route the connecting leads in grounded metal cable ducts.
- Do not route lines which cause interference (e.g. power lines) and lines susceptible to interference (e.g. signal lines) in the same cable duct.
- Maintain a distance of more than 100 mm between lines which cause interference and those which are susceptible to interference.

⁷ Observe line capacitance, see note above.

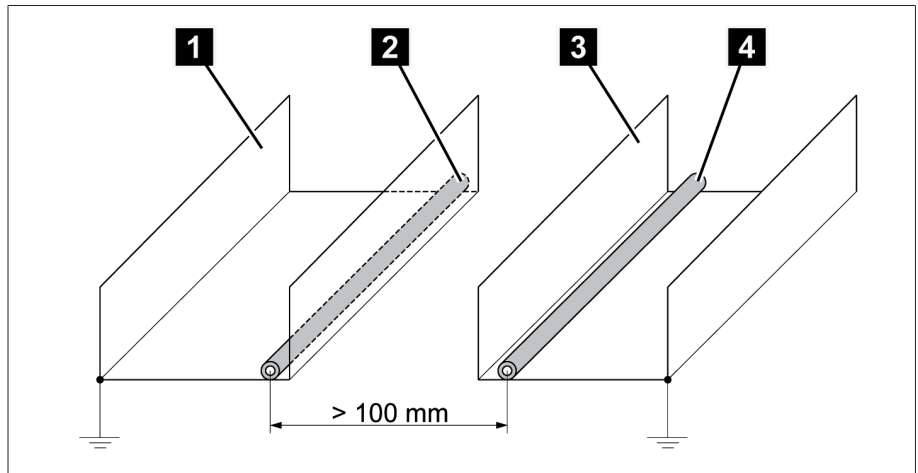


Figure 26: Recommended wiring

1	Cable duct for lines causing interference	3	Cable duct for lines susceptible to interference
2	Line causing interference (e.g. power line)	4	Line susceptible to interference (e.g. signal line)

- Short-circuit and ground reserve lines.
- Never connect the device with a multi-wire collective pipe.
- For signal transmission, use shielded lines with individual conductors (outgoing conductor / return conductor) twisted in pairs.
- Connect full surface of shielding (360°) to device or to a nearby grounding bar.



Using single conductors may limit the effectiveness of the shielding. Connect close-fitting shielding to cover all areas.

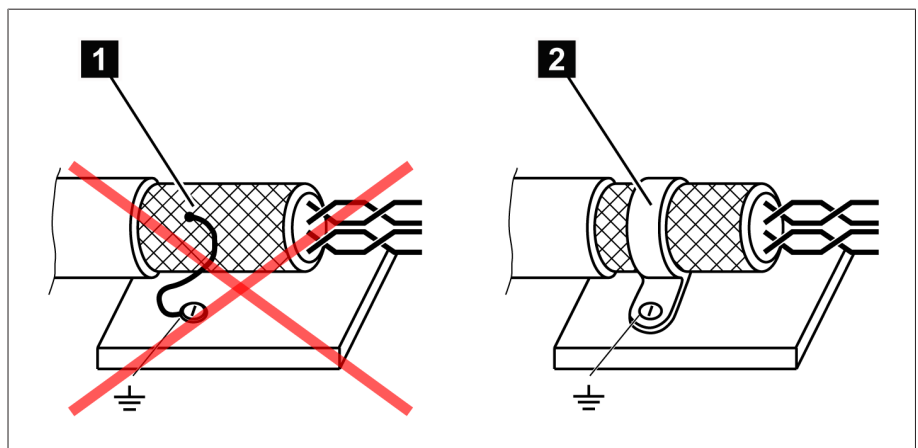


Figure 27: Recommended connection of the shielding

1	Connection of the shielding via a single conductor	2	Full-surface connection of the shielding
---	--	---	--

6.4.2.3 Wiring requirement in control cabinet

Note the following when wiring in the control cabinet:

- The control cabinet where the device will be installed must be prepared in accordance with EMC requirements:
 - Functional division of the control cabinet (physical separation)
 - Constant potential equalization (all metal parts are joined)

- Line routing in accordance with EMC requirements (separation of lines which cause interference and those susceptible to interference)
- Optimum shielding (metal housing)
- Overvoltage protection (lightning protection)
- Collective grounding (main grounding rail)
- Cable bushings in accordance with EMC requirements
- Any contactor coils present must be interconnected
- The device's connection cables must be laid in close contact with the grounded metal housing or in metal cable ducts with a ground connection.
- Signal lines and power lines/switching lines must be laid in separate cable ducts.
- The device must be grounded [▶ Section 6.4.11.2, Page 42] at the screw provided for this using a grounding cable.

6.4.3 Connecting cables to the system periphery

i To obtain a better overview when connecting cables, only use as many leads as necessary.

To connect cables to the system periphery, proceed as follows:

- ✓ Only use the specified cables for wiring. Note the cable recommendation [▶ Section 6.4.1, Page 34].
- Connect the lines to be wired to the device to the system periphery as shown in the connection diagrams supplied.

6.4.4 Connecting the CAN bus

6.4.4.1 Shielding the CAN bus

In order for the CAN bus to operate faultlessly, you have to connect the shielding using one of the following variants. If you are not able to use any of the variants detailed below, we recommend using fiber-optic cables. Fiber-optic cables decouple the devices and are not sensitive to electromagnetic interference (surge and burst).

NOTICE

Damage to the device!

If you connect the CAN bus cable to devices with different potentials, current may flow across the shielding. This current may damage the device.

- Connect the devices to a potential equalization rail to equalize the potential.
- If both devices have different potentials, only connect the CAN bus cable shielding to one device.

Variant 1: The connected devices share the same potential

1. Connect all devices to a potential equalization rail to equalize the potential.
2. Connect the CAN bus cable shielding to all connected devices.

Variant 2: The connected devices have different potential levels

i Note that the shielding is less effective with this variant.

- ✓ Connect the CAN bus cable shielding **to just one** device.
- ✓ Connect the wires of the shielded CAN bus cable in pins 10 (CAN H), 9 (CAN GND) and 8 (CAN L) of the COM-X6 connector.

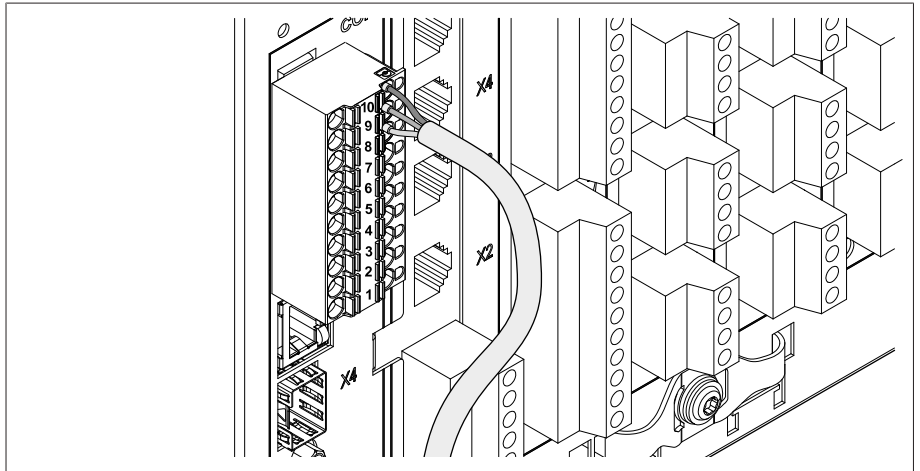


Figure 28: Connecting wires in pins 10, 9, 8

- Position the cable shielding; screw into place using the shield clamp provided and provide strain relief (using a cable tie).

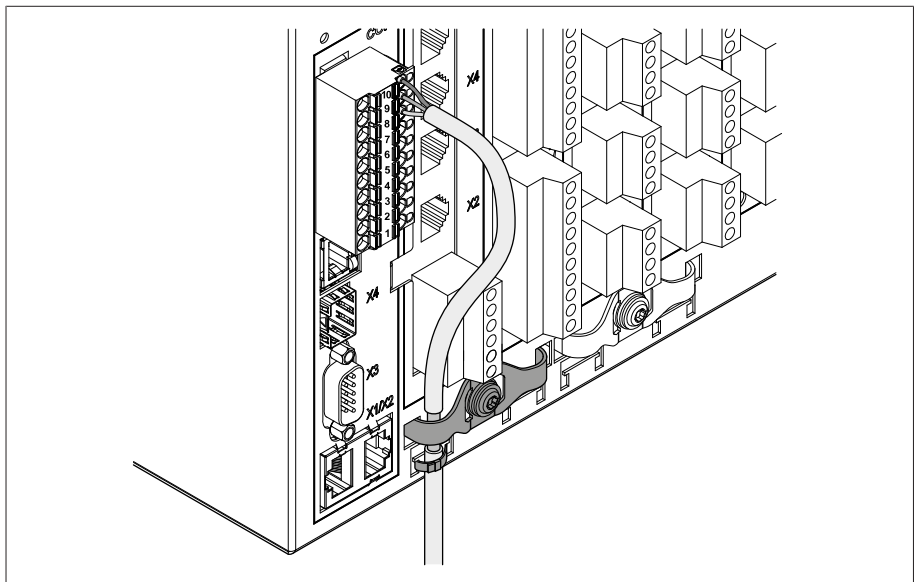


Figure 29: Shield clamp and strain relief

6.4.4.2 Mounting terminating resistor of CAN bus

If you want to operate the device in parallel operation, you need to mount a 120 Ω terminating resistor at both ends of the CAN bus.

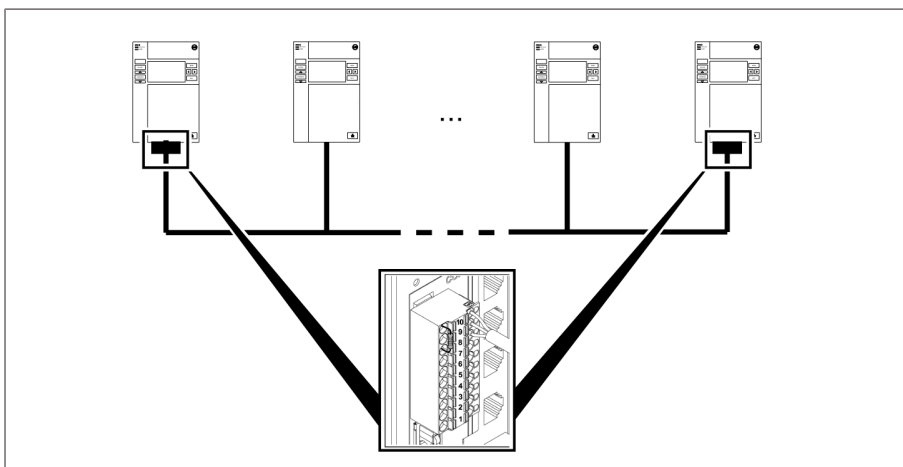


Figure 30: Terminating resistor of the CAN bus

> Mount terminal resistors in pins 10, 9 and 8 of the COM-X6 connector.

6.4.5 Wiring voltage measurement/current measurement UI

You must fuse the voltage measurement circuit in accordance with the conductor cross section used. You can use the following fuse types:

	Miniature circuit breaker	Safety fuse
Standard	IEC 60947-2	IEC 60269
Rated voltage	400 V (L-L) or 230 V (L-N)	
Rated current	30 mA...16 A	
Characteristics	B, C, K or Z	Fast-acting, medium-acting or delayed-acting
Rated switching capacity	50 kA For installation in accordance with IEC 61010-2-30 CAT II: 10 kA	

Table 10: Permissible fuse types

1. Voltage measurement: Feed the wires into the terminals UI:X7-4 (N conductor) and UI:X7-3 (L conductor) and fasten them using a screwdriver.

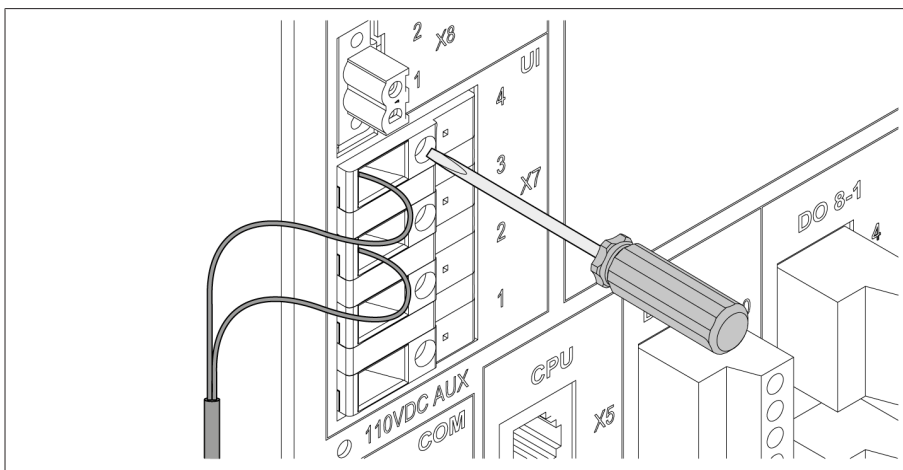


Figure 31: UI:X7-4/3

2. Current measurement: Feed the wires into the terminals UI:X7-2 (l) and UI:X7-1 (k) and fasten them using a screwdriver.

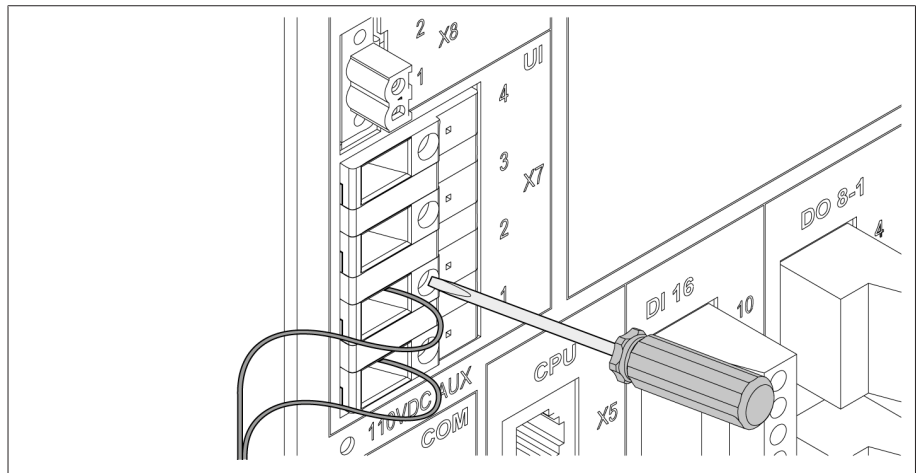


Figure 32: UI:X7-2/1

6.4.6 Wiring analog inputs AI

NOTICE

Damage to the device and sensors!

Incorrectly connected and configured analog inputs/outputs may result in damage to the device and sensor.

- > Follow information about connecting analog sensors.
- > Configure analog inputs and outputs according to the connected sensors.

You can connect the following types of analog sensors:

- 0/4...20 mA
- 0 to 10 V
- PT100/PT1000 (2-wire, 3-wire, 4-wire) indirectly via measuring transducer

In order to correctly record the analog signals, you must place the cable shielding on the grounding bar. The cable shielding should only be removed just prior to connecting to ensure that the section with unshielded cables is kept as short as possible. The shielding must be connected with shielding clips.

Block diagram and wiring versions

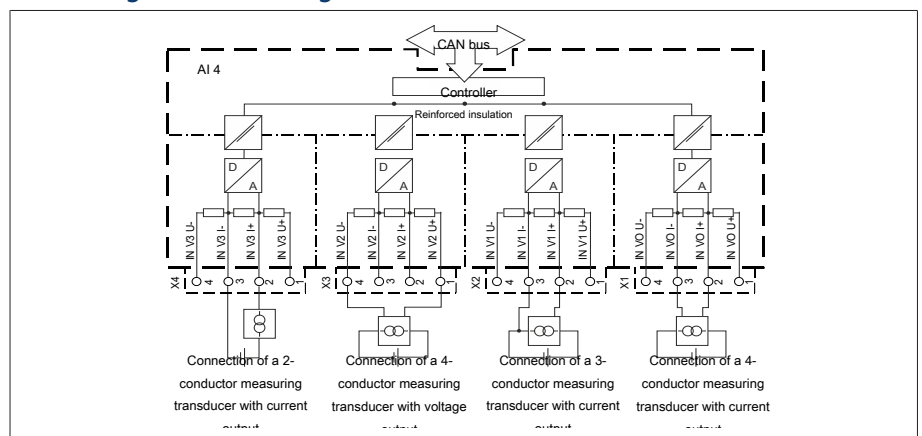


Figure 33: Block diagram for analog inputs

1. Lead the wires into the connector and fasten them using a screwdriver.
2. Insert the plug into the respective slot in accordance with the connection diagram [► Section 13.14, Page 131] and screw into place.

6.4.7 Wiring DI 16-110 V digital inputs

If the device has DI 16-110 V connections, these have to be supplied with an auxiliary voltage of 110 V DC.

- Check which version you have by looking at the connection terminal designation on the rear of the device.

1. Feed the wires into the terminal of the DI 16-110V plug in accordance with the connection diagram [► Section 13.14, Page 131] and fasten them using a screwdriver.
2. Plug the connector into the respective slot and screw it into place.

Auxiliary power supply for digital inputs

1. Feed the wires into the terminals X8:2 and X8:1 of the X8 plug in accordance with the connection diagram [► Section 13.14, Page 131] and fasten them using a screwdriver.
2. Plug the connector into the respective slot and screw it into place.

6.4.8 Wiring DI 16-220 V digital inputs

If the device has DI 16-220 V connections, proceed as follows:

- Check which version you have by looking at the connection terminal designation on the rear of the device.

1. Feed the wires into the terminal of the DI 16-220 V plug in accordance with the connection diagram [► Section 13.14, Page 131] and fasten them using a screwdriver.
2. Plug the connector into the respective slot and screw it into place.

6.4.9 Wiring digital outputs DO

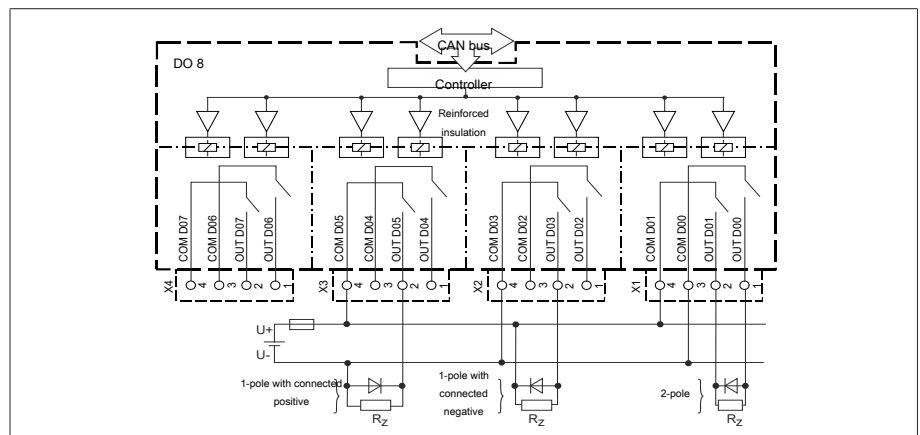


Figure 34: Block diagram for digital outputs

1. Feed the wires into the terminal of the plug connection diagram and fasten them using a screwdriver.
2. Plug the connector into the respective slot and screw it into place.

6.4.10 Wiring resistor contact series

Connect the resistor contact series to the COM X6 and AI 4 interfaces in accordance with the connection diagram [► Section 13.14, Page 131].

6.4.11 Power supply and grounding

6.4.11.1 Connecting the power supply

You may only connect the device to circuits with an external overcurrent protective device and an all-pole isolating device, allowing the equipment to be fully de-energized if required (service, maintenance etc.).

Suitable equipment includes isolating devices in accordance with IEC 60947-1 and IEC 60947-3 (e.g. circuit breakers). Observe the properties of the relevant circuits (voltage, maximum currents) when selecting the circuit breaker type. In addition, observe the following:

- It must be easy for the operator to access the isolating device
- The isolating device must be labeled for the device and the circuits to be isolated
- The isolating device may not be a part of the power line
- The isolating device may not interrupt the main protective conductor

Miniature circuit breaker You must fuse the power supply circuit with a miniature circuit breaker. The miniature circuit breaker must have the following properties:

- Rated current: 6...10 A
- Triggering characteristic: C, K or Z

Conductor cross-section For the power supply circuit, use a conductor cross-section suitable for the miniature circuit breaker that you have selected, but at least 1.5 mm² (AWG 15).

Connecting the power supply

- > Connect the power supply in accordance with the connection diagram [► Section 13.14, Page 131] and ground the device.

6.4.11.2 Connecting to ground

1. Remove the nut and washer from the grounding screw.
2. Attach the grounding cable and the power supply cable grounding wire to the grounding screw of the device and secure them using the nut and washer.

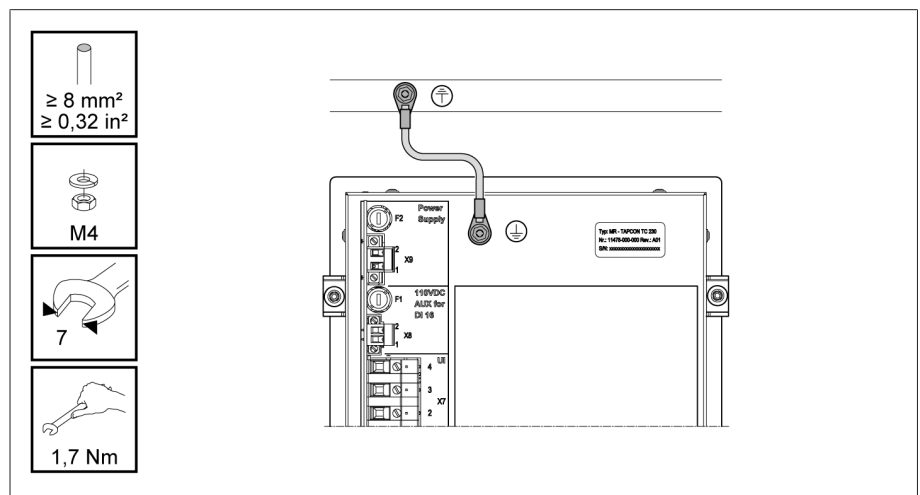


Figure 35: Grounding cable connection

6.4.11.3 Connecting the device grounding to the housing (optional)

If you have installed the device in a housing, ground the device as follows:

- ✓ The swing frame is open.
- 1. Guide a grounding cable through a cable gland.
- 2. Loosen the grounding screw on the housing and connect the grounding cable to the neutral point provided in the housing.

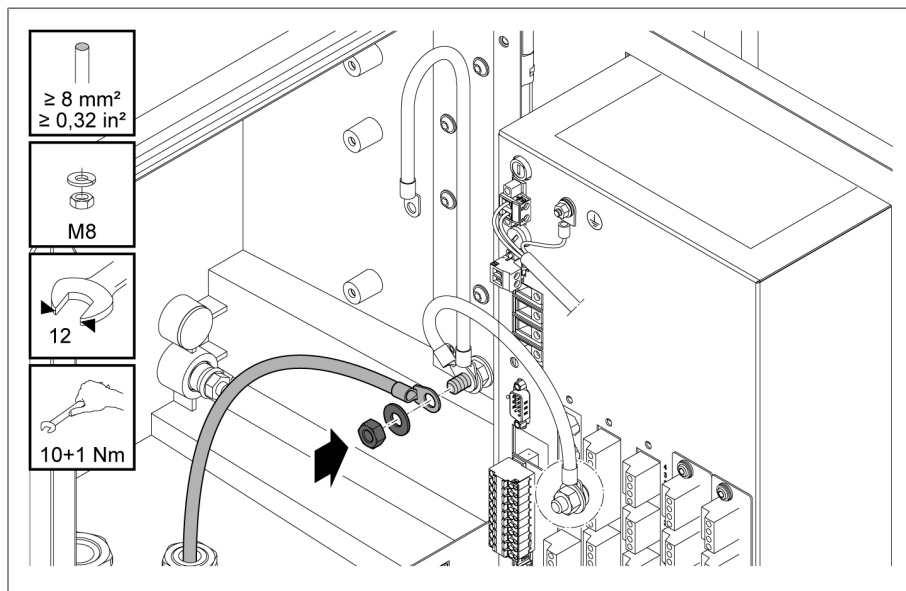


Figure 36: Grounding the housing

- 3. Affix the housing grounding cable to the device grounding screw. If necessary, affix the grounding cable protective conductor to the grounding screw as well.

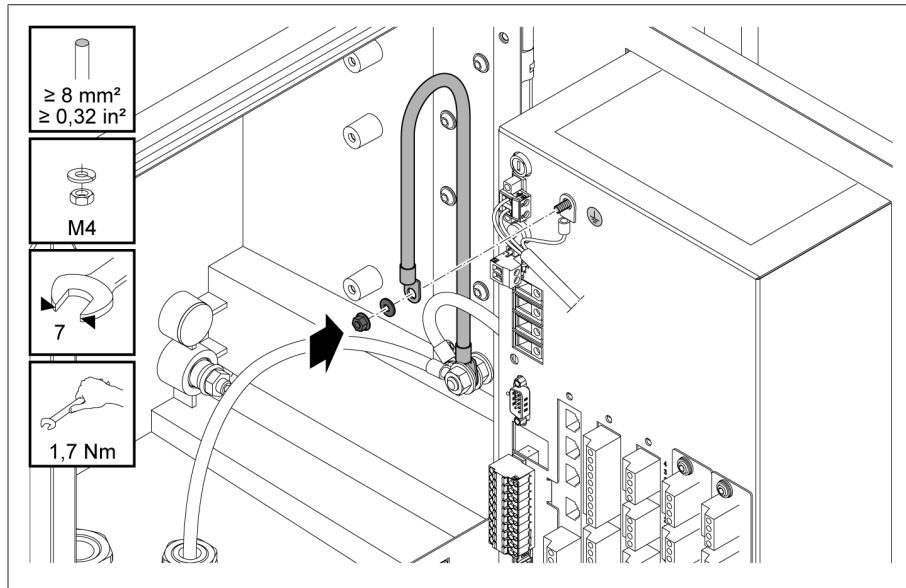


Figure 37: Affixing the housing grounding cable and protective conductor to the device

6.5 Performing tests

NOTICE

Damage to device and system periphery!

An incorrectly connected device can cause damage to the device and system periphery.

- > Check the entire configuration before commissioning.
- > Prior to commissioning, check the supply voltage and the measured voltage.

- > Connecting the device to mains.
 - » The display shows the MR logo and then the operating screen.
 - » The *voltage display* LED on the top left of the device's front panel lights up.

7 Initial steps

NOTICE

Damage to device and system periphery!

An incorrectly connected device can cause damage to the device and system periphery.

- > Check the entire configuration before commissioning.

As soon as the device has powered up and the start screen is displayed, you will be asked to make the following settings.

7.1 Establishing connection to visualization

A connection to the visualization can be established using two interfaces:

- Front interface (for local access)
- Optional: Interface X3 on the rear of the device (for access via remote display, control center etc.)

System requirements

To access the web-based visualization, you need a PC with an HTML5-capable browser. The display is optimized for the following browsers:

- Microsoft Edge
- Google Chrome™

Establishing a connection via front interface

1. Remove the interface cover on the front of the device.
2. Connect the COM-X2 to the CPU-X3 using the supplied patch cable.

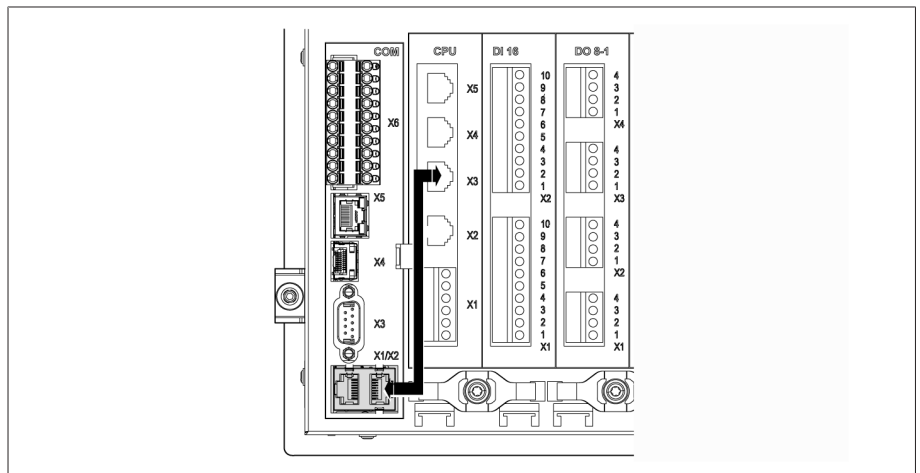


Figure 38: Patch cable on the rear

3. Connect the PC and the device via the front interface using an Ethernet cable (RJ45 plug).

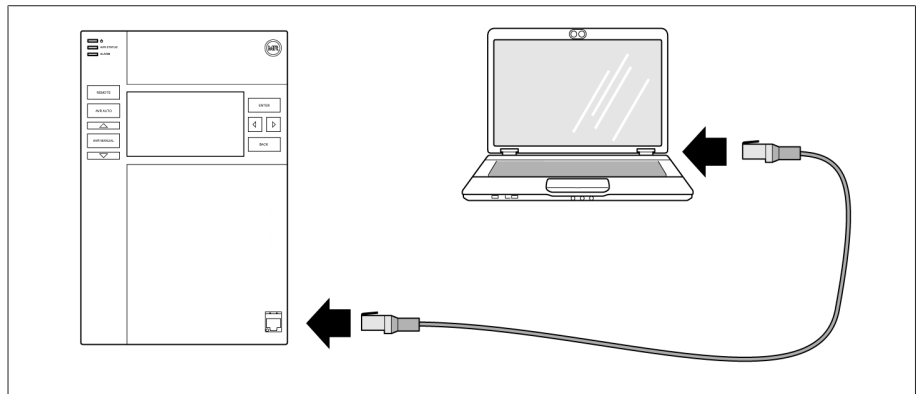


Figure 39: Establishing a connection via the front interface

4. Assign a unique IP address to the PC in the same subnet as the device (e.g. 192.168.165.100).
5. Enter the visualization's IP address `http://192.168.165.1`, or if SSL encryption is active, enter `https://192.168.165.1` in the browser on the PC.
 - » The visualization is accessed.


Establishing a connection via the rear CPU-X3 interface

1. Connect the PC and device via the rear CPU-X3 interface using the pre-assembled patch cable.
2. Go to **Communication** on the device to display the device's IP address.
3. Assign a unique IP address to the PC in the same subnet as the device (e.g. 192.0.1.100).
4. Enter the visualization's IP address (e.g. `http://192.0.1.230`; if SSL encryption is active enter `https://192.0.1.230`) in the browser on the PC.
 - » The visualization is accessed.

7.2 Setting the language


English	Italian
German	Portuguese
French	Russian
Spanish	Chinese
Korean	Polish

Table 11: Available display languages

1. Press the  EN button in the status bar.
2. Select the desired language from the list field.
3. Press the Accept button to adopt the parameter.
 - » The "Restart device" dialog is displayed.
4. Restart the device to apply the changed language setting.

7.3 Downloading the operating instructions

Download the operating instructions from the device to start device commissioning and parameterization.

> Select  in the status line.

» The operating instructions will be downloaded.

The document is also available for download in the MR Customer Portal and on our website www.reinhausen.com.

8 Commissioning

NOTICE

Damage to device and system periphery!

An incorrectly connected device can cause damage to the device and system periphery.

- > Check the entire configuration before commissioning.

8.1 Commissioning wizard

If you want the device to help when setting the relevant parameters, you can use the commissioning wizard. The commissioning wizard provides a selection of parameters that you can configure in order.

A detailed description of each of the parameters can be found in the Operation [► Section 9, Page 53] chapter.



To call up the commissioning wizard, you will need the necessary access rights [► Section 9.1.11, Page 67].



When in delivery status, you can log in as the administrator as follows:

- User name: admin
 - Password: admin
1. Log in as a user with the necessary access rights.
 2. Go to **Settings > Commissioning wizard**.
 3. Press the **Next** button to launch the commissioning wizard.
 4. Follow the on-screen instructions.

Once you have entered all of the parameters relevant to commissioning, continue with the function test [► Section 8.2, Page 48].

8.2 Function tests

Before switching from manual mode to auto mode, Maschinenfabrik Reinhausen recommends carrying out function tests. These function tests are described in the following sections. Note the following points for all function tests:

- You must ensure that REMOTE mode is disabled before you can control the on-load tap-changer manually in manual mode.
- You can only activate the on-load tap-changer manually in manual mode using the  and  keys.
- You have to be logged in to the device as a user with a parameter configurator or administrator user role.

When in delivery status, you can log in as the administrator as follows:

- User name: admin
- Password: admin

During the function test, you must set the most important parameters. Details on the parameters listed can be found in the Operation [► Section 9, Page 53] chapter.

8.2.1 Checking measured values and status of digital inputs and outputs

Upon commissioning the device, check whether the measured values and status of digital inputs and outputs are plausible. To do so, use an additional measuring device if necessary to check the individual measured values.

1. Go to **Information > Hardware**.
2. Select the individual **assemblies** one after another and check the individual measured values or the status of digital inputs and outputs.
3. If errors arise, check the measurement path and the wiring [►Section 6.4, Page 34].

8.2.2 Testing the device control function

- ✓ Supply voltage must be present.
1. Press **AVR MANUAL** to select manual mode.
 2. Set the transmission ratio for the voltage transformer, current transformer and transformer circuit.
 3. Measure actual voltage and compare with the measured value displayed on the device's main screen.
 4. Select the **Measured values** menu item to display the operating values for current and power and compare them with the values of the operation measurement instruments.
 5. Control the on-load tap-changer manually using the **▲** or **▼** keys until the measured voltage U_{actual} reaches the desired voltage U_{desired} ("desired value 1").
 6. Set desired value to the value you want.
 7. Set bandwidth depending on step voltage [►Page 90].
 8. Set the delay time T1 to 20 seconds [►Page 90].
 9. Set the time response T1 to linear [►Page 90].
 10. Press **▲** to raise the on-load tap-changer one step.
 11. Press **AVR AUTO** to select auto mode.
 - » If the actual voltage is outside the bandwidth, the device returns the on-load tap-changer to the original operating position after 20 seconds.
 12. Press **AVR MANUAL** to select manual mode.
 13. Press **▼** to lower the on-load tap-changer one step.
 14. Press **AVR AUTO** to select auto mode.
 - » If the actual voltage is outside the bandwidth, the device returns the on-load tap-changer to the original operating position after 20 seconds.
 15. Press **AVR MANUAL** to select manual mode.
 16. Set the delay time T2 to 10 seconds and activate it [►Page 92].
 17. Press **▲** twice to raise the on-load tap-changer two steps.
 18. Press **AVR AUTO** to select auto mode.
 - » If the actual voltage is outside the bandwidth, after 20 seconds the device lowers the on-load tap-changer one step and after another 10 seconds another step.
 19. Press **AVR MANUAL** to select manual mode.
 20. Set the delay time T1 [►Page 90] and delay time T2 [►Page 92] to the desired value.



We recommend a temporary setting of 100 seconds for **delay time T1** when commissioning the transformer. Depending on the operating conditions, you can also specify the delay time following a longer observation period. In this regard, it is useful to register how the actual voltage progresses and the number of tap-change operations per day.

8.2.3 Checking parallel operation

To ensure that parallel operation functions correctly, the device must be commissioned in independent mode. Make sure that the conditions below have been met.

- All devices are set to the same operating parameters for "desired value" and "delay time T1" [► Page 90]
- The "Activate parallel operation" parameter is set to **ON**
- The desired Parallel operation method is selected.
- A different CAN bus address ($\neq 0$) is set for all devices.
- All devices are in the same parallel operation group:
 - Input I: *Parallel group 1* or I: *Parallel group 2* is configured [► Section 9.1.9, Page 64] to a digital input of the device.
 - All devices have a signal at the corresponding input.

8.2.3.1 Testing circulating reactive current minimization

Note that the following prerequisites must be met for the "circulating reactive current minimization" parallel operation method:

- You must use current transformers with the same connection values for all transformers in parallel operation.
- If you wish to operate in parallel operation with existing devices, you have to activate the Retrofit TAPCON® 2xx parameter.

Consult the section Circulating reactive current minimization for more information.

To set the circulating reactive current sensitivity, proceed as follows:

1. Select the "Circulating reactive current" parallel operation method.
2. Set circulating reactive current sensitivity to a value of 0%.
3. If necessary, activate the Retrofit TAPCON® 2xx function.
4. Adjust both transformers in independent mode to the same actual voltage using the on-load tap-changers.
5. Connect the transformers in parallel and enable parallel control.
 - » The status display in the **Parallel operation** menu lights up blue.
 - » Both devices must be within the bandwidth.
6. Set the desired value of both voltage regulators to the voltage currently measured.
7. On one of the two transformers, raise the tap position of the on-load tap-changer by one setting; on the second transformer, lower the tap position of the on-load tap-changer by one setting.
 - » Both devices remain within the bandwidth.
8. Increase the circulating reactive current sensitivity in small steps until the control deviation dU in the main screen is outside the bandwidth (depending on the device, greater than or less than the bandwidth).
9. Press **AVR AUTO** to select auto mode on all devices.
 - » All devices return the on-load tap-changers to the original tap positions.



If an on-load tap-changer does not switch back to its original tap position, you have to increase the circulating reactive current sensitivity.
If one of the on-load tap-changers switches one or more tap positions higher and the other switches the same amount lower, you need to reduce the circulating reactive current sensitivity.

After you have set the circulating reactive current sensitivity, continue with the function test for the circulating reactive current blocking limit described in the next section.

8.2.3.2 Testing the circulating reactive current blocking limit

This section describes how to run the function test for circulating reactive current blocking.

✓ Set the circulating reactive current blocking limit to a value of 20%.

1. Press **AVR MANUAL** on one voltage regulator to select manual mode.
2. Using manual control, adjust the relevant motor-drive unit upwards (for example 1...2 steps) by the maximum permitted tap difference in operating positions between the parallel operating transformers.

• When setting the circulating reactive current blocking in the following process step, wait approximately 2 to 3 seconds between the individual steps.

3. In the **Parallel operation > Parallel operation method** menu item, set the **circulating reactive current** parallel operation method.
4. Reduce the circulating reactive current blocking limit parameter from the set value of 20% in steps of 1% until the message *Circulating reactive current blocking limit exceeded* is displayed.
 - » Any further regulation is blocked.
 - » After the set delay time for the parallel operation error message has elapsed, the circulating reactive current blocking message is displayed.
5. Increase the circulating reactive current blocking limit parameter again until the message *Circulating reactive current limit exceeded* disappears.
6. Press **AVR AUTO** to select auto mode.
 - » The motor-drive unit automatically returns to the original operating position.
7. Also set the value determined for the "circulating reactive current blocking limit" on the parallel operation voltage regulators.

• If one or all voltage regulators display *Circulating reactive current blocking limit exceeded*, even though the control inputs are correctly connected for all voltage regulators, all voltage regulators will be blocked. This could be due to various causes. Further information is given in the Troubleshooting [► Section 11, Page 114] section.

» The function test for the circulating reactive current blocking limit is complete.

8.2.3.3 Checking tap synchronization method

NOTICE

Damage resulting from formation of a circulating reactive current!

If the parameters are not set correctly, damage may result from the formation of circulating reactive current and the resulting overload of transmission lines and transformers.

- > Check the transformer nameplate.
- > Set device parameters in accordance with the transformer configuration.

• In parallel operation in accordance with the **Automatic tap synchronization** method, the tap positions of the transformers running in parallel are compared. It is therefore necessary that the transformers have the same position designation and that the *Raise* and *Lower* signals produce the same voltage change in all transformers.

Before starting the function test, you must carry out the following steps:

1. Assign the master function to one device.
2. Assign the follower function to the other devices.

- Compare the tap position displays **3** of master **1** and follower **2**. All devices must display the same tap position. If this is not the case, switch all devices to the same tap position.

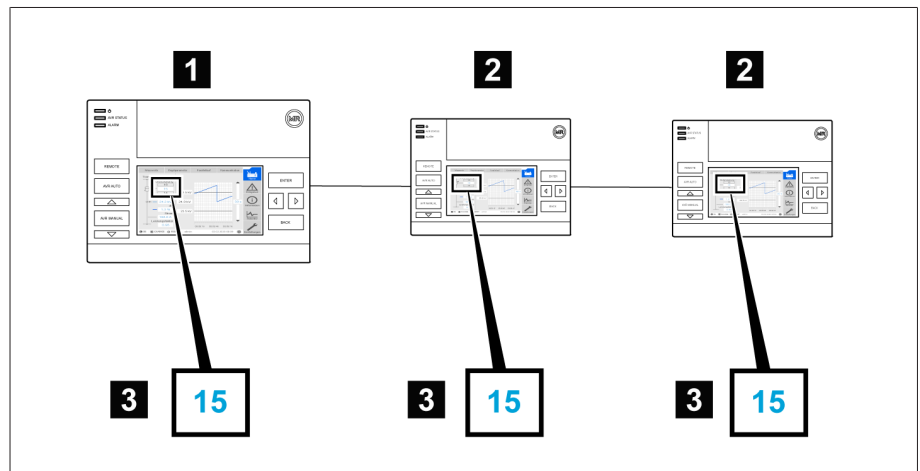


Figure 40: Comparing the tap position

1	Master	3	Tap position display
2	Follower		

- Press **AVR MANUAL** on the follower to select manual mode.
- If necessary, set the follower tapping direction.
- Press **AVR MANUAL** on the master to select manual mode.
- Press **▲** or **▼** on the master to manually change the tap position.
- Press **AVR AUTO** on the follower to select auto mode.
 - » The follower switches to the same tap position as the master.
- Press **AVR AUTO** on the master to select auto mode.
- Press **AVR MANUAL** on the follower to select manual mode.
- Press **▲** or **▼** on the follower to manually change the tap position.
 - » After expiration of the set delay time for parallel operation errors, there is a tap difference from the follower to the master.
- Press **▲** several times on the follower to manually increase the tap position by the number of permitted steps ("Maximum permitted tap difference") and then one further step.
 - » After expiration of the set delay time for parallel operation errors, there is a tap difference to follower on the master.
 - » After expiration of the set delay time for parallel operation errors, there is a tap difference to master on the follower.
- Press **AVR AUTO** on the follower to select auto mode.
 - » There is no response. All devices remain blocked.
- Press **AVR MANUAL** on the master and follower to select manual mode.
- Press **▲** or **▼** on the master and follower to manually set the desired step.
 - » The function tests for the tap synchronization method are complete.

Installation and commissioning of the device is complete.

9 Operation

9.1 System

9.1.1 General

You can set general parameters in this menu item.

9.1.1.1 Setting general device functions

You can set general device functions with the following parameters.

> Go to **Settings** > **Parameter** > **System** > **General**.

Commissioning wizard

You can use this parameter to set whether the commissioning wizard is to launch automatically when the device is restarted.

Measured value display

You can use this parameter to set whether the displayed measured values and control parameters are to refer to the primary side or secondary side of the measuring transducers.

Transformer name

You can use this parameter to enter a transformer name for identification purposes. The transformer name will be displayed on the main screen in the visualization.

9.1.1.2 Set up automatic logout

You can change the settings so that the device of a logged-in user automatically logs the user out after a certain period of inactivity.



These settings apply to all users. If you have activated the Auto login function for a user, then this user will not be automatically logged out.

> Go to **Settings** > **Parameters** > **System** > **General**.

Auto logout

You can use this parameter to activate the automatic logout function.

Time until auto logout

You can use this parameter to set the time period of inactivity after which a user is automatically logged out.

9.1.1.3 Activating/deactivating service user access

The device is equipped with user access for the Maschinenfabrik Reinhausen GmbH Technical Service department. This access is for error diagnostics and troubleshooting in the event of device faults.

You can use this parameter to activate or deactivate service user access. To safeguard IT security, only activate service user access for a limited time period for remedying faults.



If you deactivate the service user access and lose your password for the administrator role, it is not possible to reset the administrator password. If the administrator password is lost, the device must be reset to the default settings. When doing so, all information stored on the device (parameters, measured values, etc.) will be lost.

You must be assigned the administrator role to set parameters.
When in delivery status, you can log in as the administrator as follows:

- User name: admin
 - Password: admin
1. Go to **Settings > Parameter > System > General**.
 2. Set the parameter.
 3. Restart the device to apply the change.

Service user access activation

You can use this parameter to activate or deactivate service user access.

9.1.1.4 Device management via the network (SNMP)

The device supports central device management via a network via SNMP. You can use parameters to configure the agent (SNMP server).

The device supports the following SNMP versions:

- SNMPv3
- SNMPv2c

You can only call up the device data as read-only via SNMP. Certain changes on the device will be transmitted as traps:

- System restart
- Incorrect SNMP authentication data (standard AuthTrap)

The following data is available as OID:

OID	Name	Description	
1	sysInfo	Nodes for system information	
	1	sysName	<Host name>
	2	firmwareVersion	Firmware version
	3	serialNumber	Serial number of the device
	4	sysDesc	Device description
	5	sysLocation	Device location
	6	sysStatus	Device status (red, yellow, green)
400	notifications	Nodes for traps	
	1	nsNotifyUpdate	An update has been performed
	2	nsNotifyNetworkChange	The network settings have been changed

The device makes a configuration file (MIB file) available. For more information, refer to the section Exporting data.

9.1.1.4.1 Configuring SNMP

You can configure the device SNMP function with the following parameters.



You can only configure SNMP if you are assigned an administrator role.

› Go to **Settings** > **Parameters** > **System** > **SNMP**.

Activate SNMP

You can use this parameter to activate or deactivate the device SNMP function.

SNMP version

You can use this parameter to select the SNMP version. You can select the following options:

- SNMPV2c
- SNMPV3

Community string

You can use this parameter to set the community string that is to be used for access to the device data via SNMPV2c. The community string will also be used for traps.

User name

You can use this parameter to set the user name that is to be used for access to the device data via SNMPV3. The user name will also be used for traps.

Auth. algorithm

You can use this parameter to select the authentication algorithm that is to be used for access to the device data via SNMPV3. The authentication algorithm will also be used for traps. You can select the following options:

- Inactive
- SHA
- SHA-256

Authpass

You can use this parameter to set the password that is to be used for authenticating access to the device data via SNMPV3. The password will also be used for traps.

Priv. algorithm

You can use this parameter to select the encryption algorithm that is to be used for access to the device data via SNMPV3. The encryption algorithm will also be used for traps. You can select the following options:

- Inactive
- DES
- AES-128
- AES-256

Privpass

You can use this parameter to set the password that is to be used for encrypting access to the device data via SNMPV3. The password will also be used for traps.

Activate SNMP traps

You can use this parameter to activate the device SNMP traps function.

Trap server

You can use this parameter to set the IP address of the server for receipt of the SNMP traps.

Device location

You can use this parameter to specify the device location. You can query this information via SNMP.

Device designation

You can use this parameter to set the device designation by which the device is identified. Depending on the device configuration, the device designation is used for the following services:

- Syslog
- SNMP

9.1.2 Configuring the network

The device network configuration is split into 3 areas:

- Network setting: IP address setting, subnet mask setting, etc.
- Network assignment: Assignment of one or more Ethernet interfaces to a network.
- Network release: Release of network services such as external display.

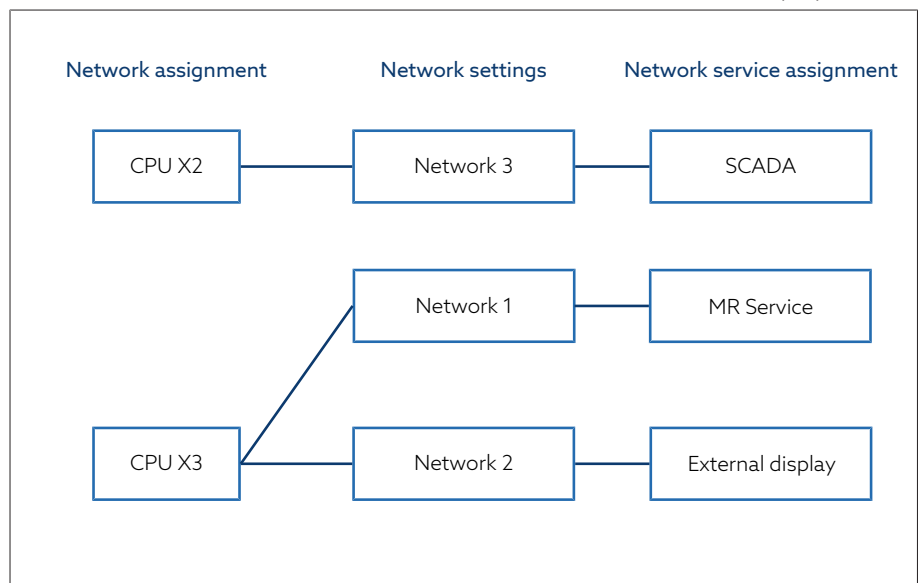


Figure 41: Configuration example

The CPU X2 interface is assigned to network 3 with a SCADA service ⁸. The CPU X3 interface is linked to network 1 and network 2. The external display service is available in network 2. Only the "MR Service" service is assigned in network 1.



Ensure that you **do not** bundle the network interfaces (known as bonding or NIC teaming). NIC teaming may disrupt the network connection.

9.1.2.1 Configure network

You can configure the network settings in this menu. Depending on the device configuration, there are a different number of networks available.



Network 1 is a service interface only and cannot be configured.

> Go to **Settings > Parameters > System > Network settings**.

⁸ Assigning a SCADA service is only possible with the versions TAPCON® 230 Expert and AVT.

9.1.2.2 Assign network interfaces

This menu is used to assign the Ethernet interfaces of the device to a network.



If you change the assignment of the network interfaces, the MAC address of the network may change.

> Go to **Settings > Parameters > System > Network interface assignment**.

CPU X2 network assignment

You can use this parameter to set which network is to be available via the CPU X2 interface.

CPU X3 network assignment

You can use this parameter to set which network is to be available via the CPU X3 interface.

9.1.2.3 Assign network services

This menu is used to assign the available network services of the device to the various networks.

> Go to **Settings > Parameters > System > Network service assignment**.

External display network release

You can use this parameter to set whether an external display is to be available via the network.

9.1.3 Web visualization

In this menu you can make settings for the web visualization.

> Go to **Settings > Parameters > System > Web visualization**.

SSL/TLS encryption

You can use this parameter to set whether the process for accessing the visualization should be carried out over an SSL/TLS-encrypted connection.

TLS version

You can use this parameter to set the accepted TLS versions. If you would like to establish an encrypted connection to the visualization, you must use an accepted TLS version. You can select the following options:

Option	Accepted TLS versions
>= 1.2 ⁹	- 1.2 - 1.3
>= 1.3 ⁹	- 1.3

Table 12: TLS version

9.1.4 Setting the device time

You can set the device time manually or automatically via an SNTP time server. The device must be connected to an SNTP time server via Ethernet for this purpose.

> Go to **Settings > Parameters > System > Time synchronization**.

⁹ This option can be selected only if the TLS version is supported by the connected peripheral equipment.

Time synchronization via SNTP

You can use this parameter to activate time synchronization using an SNTP time server.

SNTP time server

You can use this parameter to enter the IP address of a SNTP time server. If you are using a time server, the device uses the time of the time server as the system time.

i Be sure to enter a valid time server address that is not 0.0.0.0, otherwise it will not be possible to connect to the device.

SNTP time server 2

You can use this parameter to enter the IP address of the second time server (optional).

Synchronization interval

You can use this parameter to set the interval at which the device is to call up the time from the time server.

Automatic daylight saving / standard time

You can use this parameter to activate the automatic switchover between daylight saving time and standard time. Depending on the time zone (region) set, the device switches automatically between daylight saving time and standard time on the specified days.

Time zone

To adjust the device time to your local time, you can use the time shift parameter to set the time shift to UTC.

Example:

Region	Time shift to UTC
Mumbai, India	UTC +5:30 h
Beijing, China	UTC +8:00 h
Brasilia, Brazil	UTC -3:00 h

Table 13: Time shift to UTC (Coordinated Universal Time)

Time

You can use this parameter to set the date and time manually.

9.1.5 Setting the screensaver

To increase the service life of the display on the front panel of the device, you can activate and set a screensaver. The following functions are available for this purpose:

- Switching off the display
- Dimming the brightness of the display

> Go to **Settings > Parameters > System > Time synchronization > Screensaver**.

Screensaver

If you activate this function, the device fully switches off the display when the adjustable waiting period has expired if no key is pressed. The display switches on again if you press any key.

Deactivating the screensaver has a negative impact on the service life of the display. Maschinenfabrik Reinhausen recommends that you activate the screensaver and set a waiting period of 15 minutes.

Screensaver waiting time

You can use this parameter to set the screensaver waiting time.

Dimming

When you activate this function, the device reduces the brightness of the display when the adjustable waiting time has expired if no key is pressed. The device then switches back to full brightness when you subsequently press any key.

If the screensaver and brightness dimming are activated, you have to press any key twice in order to reactivate the display at full brightness.

Dimming waiting time

You can use this parameter to set the dimming waiting time.

Brightness dimming

Setting for the brightness when the display is dimmed. 100% corresponds to full brightness, 10% to the lowest brightness.

9.1.6 Configuring syslog

The device supports the transmission of log messages via the syslog protocol in accordance with the standards RFC 5424 and RFC 3164.

> Go to **Settings > Parameters > System > Syslog**.

Activate syslog

You can use this parameter to activate transmission of syslog messages via the device.

Syslog standard

You can use this parameter to adjust the transmission process and the format for the syslog messages. You can select the following options:

Standard	Transport	Message format
RFC 5425 (recommended)	TLS	RFC 5424
RFC 5426	UDP	
RFC 6587	TCP	RFC 3164
RFC 3164	UDP	

Table 14: Syslog standard

If you use the standard RFC 5245 (TLS), you have to import the root certificate and the client certificate with the corresponding key to the syslog server. For more information, refer to the section titled Importing data.

Syslog server

You can use this parameter to set the IP address of the syslog server.

Syslog server port

You can use this parameter to set the port of the syslog server.

Enable 2nd syslog server

You can use this parameter to set whether the device is to transmit the syslog messages to a 2nd server. If you have selected the option "disabled" for the parameter Enable syslog [► Page 59], transmission to the 2nd syslog server will also be disabled.

2nd syslog server

You can use this parameter to set the IP address of the 2nd syslog server.

2nd syslog server port

You can use this parameter to set the port of the 2nd syslog server.

Reconnect delay time

You can use this parameter to determine how long the device will wait before it attempts to reconnect after the connection has been interrupted earlier or a syslog message could not be transmitted (only for TCP or TLS).

Severity level

You can set which syslog messages the device will send. You can also activate or deactivate messages for each severity level.

Severity level	Description
Emergency	The system is unusable.
Alert	Immediate intervention required.
Critical	Critical state
Error	Error state
Warning	Warning state
Notice	Notice state
Info	Information state
Debug	Debug state

Table 15: Severity levels

9.1.7 Linking signals and events

The device enables you to link 12 digital inputs (GPI) with device functions and digital outputs (GPO).

The digital inputs available are each permanently linked to a *General purpose input* event message for this purpose.

Input/command	Event message
Digital input 1	General purpose input 1
Digital input 2	General purpose input 2
...	...

Table 16: Links between digital inputs and event messages

You can link the event messages with device functions and digital outputs. You can also link all other event messages (e.g., *Undervoltage U<*) with digital outputs. Corresponding parameters, for which you need to enter the relevant event number, are provided for this purpose.

9.1.7.1 Linking functions

You can link the *General purpose input* events with device functions. This allows you to control the device remotely via digital inputs.

To establish the link, you have to enter the corresponding event number in the desired parameter.



Note that you can only enter the event numbers of the *General purpose input* events.
If you enter event number 500, the link is disabled.

- ✓ The desired event number is known [▶ Section 9.1.10, Page 65].
- > Go to **Settings** > **Parameter** > **System** > **Link functions**.

Master parallel operation method

If the assigned event is active, the device activates the master parallel operation method.

Follower parallel operation method

If the assigned event is active, the device activates the follower parallel operation method.

Automatic tap synchronization parallel operation method

If the assigned event is active, the device activates the automatic tap synchronization parallel operation method.

Independent regulation

If the assigned event is active, the device activates the independent regulation independent mode.

Blocking

If the assigned event is active, automatic control is blocked.

High-speed return

If the assigned event is active, the device activates high-speed return. With high-speed return, the device ignores the set delay time of automatic voltage regulation.

Target-tap-position operation

If the assigned event is active, the device switches to the defined target tap position.

Activate desired value 1

If the assigned event is active, the device activates the desired value 1.

Activate desired value 2

If the assigned event is active, the device activates the desired value 2.

Activate desired value 3

If the assigned event is active, the device activates the desired value 3.

9.1.7.2 Linking digital outputs

You can link each event with a digital output. The device provides 12 digital outputs (GPO) for this purpose. When you link a digital output to an event, the device issues a signal to this output if the event occurs. The signal persists until the event stops. A parameter is available for each available digital output.

• To forward input signals, you need to link the digital outputs with the *General purpose input* events.

✓ The desired event number is known.

1. Go to **Settings > Parameter > System > Link outputs**.
2. Select the desired parameter.
3. Enter the desired event number.
4. Press the **Accept** button to save the modified parameter.

Generic digital output X

You can use this parameter to link the digital output with an event message. To do so, enter the desired event number.

• If you enter event number 500, the link is disabled.

9.1.8 Configuring analog inputs

• The operation described below is only possible if you access the visualization using a computer. You can only change the configuration of the digital inputs and outputs if you have a Parameter Configurator or Administrator role.

You can flexibly configure the device's analog inputs and assign device functions.

The device supports analog sensors with linear characteristic curves and only outputs analog signals with linear characteristic curves.

Correction factor and offset Setting a correction offsets systematic errors of the analog signals. The correction is determined by multiplying a factor by the sum of the offset. The minimum and maximum values of the function value apply as a limit value for the correction. There is no limit for the correction offset.

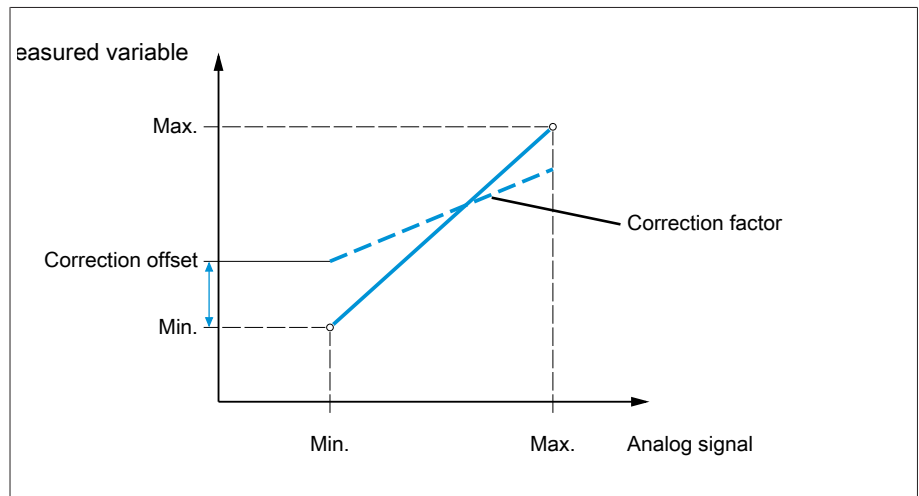


Figure 42: Analog signal with linear characteristic curve, correction factor <1 and correction offset

NOTICE

Damage to the device and sensors!

Incorrectly connected and configured analog inputs may result in damage to the device and sensor.

- > Follow the information about connecting analog sensors.
- > Configure analog inputs according to the connected sensors.

The following information is displayed to you in tabular form for configuring the analog inputs. Grayed-out elements cannot be changed.

Property	Options
Function	Function of the analog input (I: ...). You can adjust the designation.
Signal type	Select signal type of analog sensor or deactivate analog input. <ul style="list-style-type: none"> - 4...20 mA - 0...20 mA - 0...10 V
Card/channel	Select the slot and channel of the analog sensor. Note the connection diagram supplied.
Unit ¹⁾	Set the unit of the signal.
Decimal places ¹⁾	Set up to three decimal places.
Minimum/maximum value	Set the minimum and maximum values of the sensor, e.g. with a 4...20 mA signal, the corresponding measured value for 4 mA and the corresponding value for 20 mA.
Correction factor ²⁾	Set the correction factor (m) for the correction of the function value (x). The corrected function value (y) is: $y = (m * x) + t$
Correction offset ²⁾	Set the offset (t) for the correction of the function value (x). The corrected function value (y) is: $y = (m * x) + t$

Table 17: Configuration of the analog inputs and outputs

¹⁾ Only available for AIO.

²⁾ Only available for inputs.



You can only change the configuration of the analog inputs if you have a Parameter Configurator or Administrator role.

When in delivery status, you can log in as the administrator as follows:


- User name: admin
- Password: admin

Creating a backup

You need to create a backup to be able to reset the system in the event that any incorrect configuration settings are made.

1. Go to **Settings > Export**.
2. Select the option **Settings** to export a backup copy of the current settings.
3. Press the **Export** button to start the export.

Configuring GPAIO

1. Go to **Settings > AIO configuration**.
2. Configure the properties such as **Function**, **Sign. type** and **Card/channel**.
3. Select the  button to configure the values as desired.
4. Press the **Accept** button.
5. Confirm the security prompt with **Save** to save the changes.

9.1.9 Configuring digital inputs and outputs



The operation described below is only possible if you access the visualization using a computer. You can only change the configuration of the digital inputs and outputs if you have a Parameter Configurator or Administrator role.

Upon delivery, the configurable digital inputs and outputs of the device are configured as follows:

- Input: High active
- Output: N/O contact (NO)

You can change this configuration if necessary.



Ensure that the configuration of the digital inputs and outputs is suitable for the functions used. Otherwise, malfunctions may occur in the device and the connected periphery.

The following information is displayed in tabular form for configuring the digital inputs and outputs. Grayed-out elements cannot be changed.

Property	Options
Function	Function of the digital input (I: ...) or the digital output (O: ...). You can adjust the designation.
Signal type	Select signal type: Digital input
Configuration	DI: High active or low active DO: N/O contact (NO), N/C contact (NC); Note: If the device is disconnected or in the event of an error, the digital outputs are always open (no bi-stable relay).
Assembly/channel	Channel of the DI/DO interfaces to which the function is linked. Functions that are not linked with a channel are identified with "-". Note the connection diagram supplied.

Table 18: Configuration of the digital inputs and outputs

When in delivery status, you can log in as the administrator as follows:

- User name: admin
- Password: admin

Creating a backup You need to create a backup to be able to reset the system in the event that any incorrect configuration settings are made.

1. Go to **Settings > Export**.
2. Select the option **Settings** to export a backup copy of the current settings.
3. Press the **Export** button to start the export.

Configuring DI/DOs

1. Go to **Settings > DIO configuration**.
2. Where necessary, select the buttons ▲ or ▼ to sort the properties in a column alphabetically.
3. Configure the properties as desired.
4. Press the **Accept** button.
5. Confirm the security prompt with **Yes** to save the changes.

9.1.10 Event management

The device is equipped with event management, which allows you to detect various device operating statuses and to adapt the behavior of the device. An overview of all possible events is given in the Event messages chapter.

9.1.10.1 Displaying and acknowledging events


Displaying events

- > Go to **Events** .
 - » A list of currently pending events appears.

Acknowledging events

Acknowledgeable events must be acknowledged in the event overview so that they are no longer displayed. All other events are automatically removed once the cause has been fixed (e.g. limit value is no longer exceeded).

To acknowledge the events, proceed as follows:

- > To acknowledge the events, highlight the desired events in the  column, then press the **Acknowledge** button.
- » The events have been acknowledged.

9.1.10.2 Displaying event memory

Past events are stored in the event memory. The following information is displayed:

Column	Description
#	Consecutive number of events
No.	Event number for clear identification
⚠	Event category: <ul style="list-style-type: none"> - Error (red) - Warning (yellow) - Info (gray)
Event	Event text
Time	Date and time of event (DD-MM-YYYY, HH:MM:SS/ms)
▶◀	Event coming/going: <ul style="list-style-type: none"> ▶ Event coming ◀ Event going

Table 19: Event memory

1. Go to **Events**.
2. Press the **Log** button.

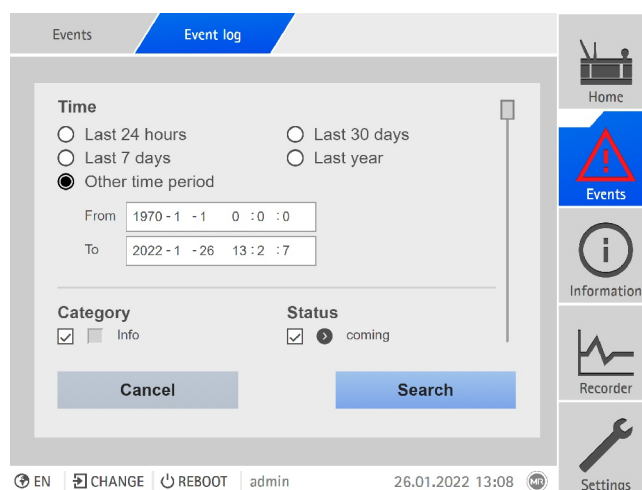


Figure 43: Event memory

Filtering events

1. Press the **Filter** button.
2. Enter the desired time period.
3. Select the checkbox and enter the desired event number.
 - » The event text is displayed.
4. Select the desired event categories and the desired event status.
5. Press the **Search** button to display the desired events.

Exporting events

You can export the event memory entries currently displayed as a csv file. If you first create a filter, only the filtered entries are exported.

To export the events, proceed as follows:

- ✓ First connect via Connect PC.
1. Press the **Export** button.
 2. Select the desired option for data transmission.
 - » The data is exported.

9.1.11 User administration

User administration is based on a system of roles. You must assign a role to every user. You can define access rights to parameters and events for each role.

9.1.11.1 Activating/deactivating service user access

The device is equipped with user access for the Maschinenfabrik Reinhausen GmbH Technical Service department. This access is for error diagnostics and troubleshooting in the event of device faults.

You can use this parameter to activate or deactivate service user access. To safeguard IT security, only activate service user access for a limited time period for remedying faults.

- If you deactivate the service user access and lose your password for the administrator role, it is not possible to reset the administrator password. If the administrator password is lost, the device must be reset to the default settings. When doing so, all information stored on the device (parameters, measured values, etc.) will be lost.

You must be assigned the administrator role to set parameters. When in delivery status, you can log in as the administrator as follows:

- User name: `admin`
 - Password: `admin`
1. Go to **Settings > Parameter > System > General**.
 2. Set the parameter.
 3. Restart the device to apply the change.

9.1.11.2 User roles

The access rights to the device functions and settings are controlled using a hierarchical system of roles. The system has five different roles with different access rights. Some of these access rights are fixed, but you can configure the access rights to particular parameters and events. Note the Setting access rights to parameters and events section.

- If you are not logged in on the device, you will assume the "Data display" user role.

Upon delivery, the following roles are provided:

Role	Description
Data display	User who can only view data of relevance to operation. <ul style="list-style-type: none">- Display all parameters- Display all events
Diagnostics	User who can view data and log data of relevance to operation. <ul style="list-style-type: none">- Display all parameters- Display all events- Export log data
Operator	User who can view data of relevance to operation and acknowledge events. The user can perform manual tap-change operations using the device's controls. <ul style="list-style-type: none">- Display all parameters- Display and acknowledge all events

Role	Description
Parameter configurator	User who can view and modify data of relevance to operation. <ul style="list-style-type: none"> - Display and modify all parameters - Import and export parameters - Display, modify, and acknowledge all events
Administrator	User who can view and modify all data. <ul style="list-style-type: none"> - Read all parameters - Display, modify, and acknowledge all events

Table 20: Roles in delivery status

Access to the following areas of the device is linked to the roles:

Function	Data display	Diagnostics	Operator	Parameter configurator	Administrator
Administration	-	-	-	-	+
Restart device	-	-	+	+	+
Import	-	-	-	+	+
Export	-	+	-	+	+
Set date and time	-	-	+	+	+
Calibrate resistor contact series	-	-	-	+	+
Actuation of the RAISE, LOWER, REMOTE, AVR AUTO, and AVR MANUAL keys	-	-	+	+	+
Configuring analog inputs	-	-	-	+	+
Configuring digital inputs and outputs	-	-	-	+	+

Table 21: Access rights permanently linked to the roles

9.1.11.3 Changing password

All users can change their passwords provided that the user account is not set up as a group account. You can only change a group account's password if you are logged in as the administrator.

Note that the password must satisfy the following requirements:

- At least eight characters
- At least three of the four following character types
 - Upper case letters
 - Lower case letters
 - Numbers
 - Special characters

1. Select **Username** in the status line.
2. Enter the new **Password** twice.
3. Press the **Accept** button to save the changed password.

9.1.11.4 Creating, editing and deleting users

Adjustable options:

- Username and password
- Role: You can assign a role to every user. The access rights to parameters and events are linked to the roles.

- Group account: With this option, you can declare a user account to be a group account (e.g. for access by different people). Users with a group account cannot change their own password. The password can only be changed by the administrator.
- Active: You can activate or deactivate the user. Deactivated users cannot log in. The user data is still stored in the device.
- Auto login: You can activate the Auto-login function for a user. This user is automatically logged in when the system is restarted or another user logs out.



You can only create, edit, and delete users if you are assigned an administrator role.

When in delivery status, you can log in as the administrator as follows:

- User name: admin
- Password: admin

Creating users

1. Go to **Settings > Administration > User**.
2. Press the **Create user** button.
3. Enter the **Username** and then enter the **password** twice.
4. Select the **role** you want.
5. If necessary, activate the **Group account**, **Active** or **Auto login** options.
6. Press the **Accept** button to save the user.

Editing users

1. Go to **Settings > Administration > User**.
2. Select the desired user in the list.
3. Make the amendments desired.
4. Press the **Accept** button to save the user.

Deleting a user

1. Go to **Settings > Administration > User**.
2. Select the desired user in the list.
3. Press the **Delete user** button.
4. Press the **Accept** button to delete the user.

9.1.12 Brute-force protection

The device is equipped with a brute-force protection function for the login screen of the web-based visualization. This feature allows you to prevent an unauthorized person from learning a user password for the device through sim-

ple guessing/trial and error. This is achieved by blocking the user from logging into the device for a certain period of time if their password has been entered incorrectly several times in a row.

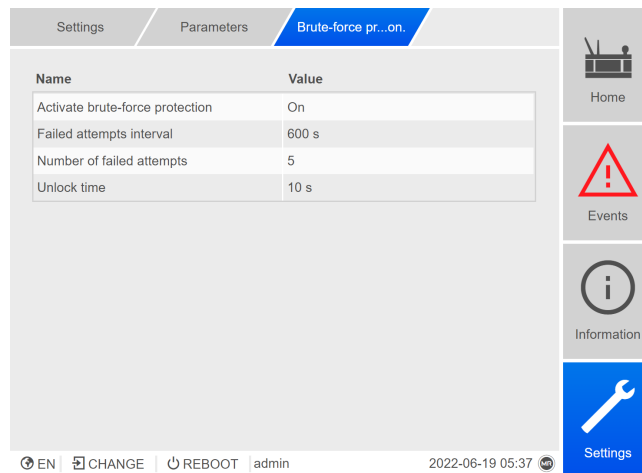


Figure 44: Brute-force protection

> Go to **Settings > Parameters > System > Brute-force protection..**

Activate brute-force protection

You can use this parameter to activate the brute-force protection function.

Failed attempts interval

You can use this parameter to set the time interval for detecting incorrect logins. If the user makes unsuccessful login attempts multiple times within this time interval, the user will be blocked from logging in.

Number of failed attempts

You can use this parameter to set the number of incorrect attempts within the time interval. If the user makes the set number of unsuccessful login attempts within the time interval, the user will be blocked from logging in.

Block time

You can use this parameter to set how long the user will be blocked from logging in for. Once this time has elapsed, login attempts can be made again.

9.1.13 Hardware

Under Hardware, you can display information about the device's hardware. You will find information about the signal level of the individual channels for the assemblies.

1. Go to **Information > System > Hardware.**
2. Select the desired Assembly in order to display the signal levels of the channels.

9.1.14 Software

Under Software, you can display the version status of the software components of the device.

> Go to **Information > System > Software.**

9.1.15 Import/export manager

The device is equipped with an import/export manager which can be used to transmit data using a PC via the web-based visualization system.

9.1.15.1 Exporting data

You can export the following data from the device:

Option	Description
System image	Complete image of the system (software and configuration). If you are using the option "with history", all of the event memory entries are also exported.
System configuration	System configuration
Event log	All event memory entries.
Parameter list	Parameter list with descriptive text and values (min, max, current).
Event list	Complete list of all possible events.
Operating instructions	Operating Instructions.
Settings	Configuration of parameters and events.
Security log	Logbook of all instances of access and changes relating to security.
Licenses	Copyright and disclaimers of the software components used.

Table 22: Exporting data

1. Go to **Settings > Export**.
2. Select the desired option for the export.

9.1.15.2 Importing data

You can import the following data:

Option	Description
System image	Complete image of the system (software and configuration), with or without history.
Settings	All device settings: <ul style="list-style-type: none">- Parameter settings- Event settings- Administrative settings (users, access rights) The settings can also be imported from another device.
SSL certificate	Import of an SSL certificate with associated key: <ul style="list-style-type: none">- Server certificate (.crt + .pem)- Client certificate (.crt + .pem)- Client CA (.crt) For the import, you will have to compress the certificate (*.crt) and key (*.pem) in a zip file. You can import certificates with the following key authentication: <ul style="list-style-type: none">- RSA with 1024 bits- ECDSA with 256 bits ("secp256r1" or "prime256v1" curve).

Table 23: Importing data

NOTICE

Damage to the file system!

The file system can become damaged due to an incorrect data transmission process. A damaged file system can lead to the device no longer being functional.

> Do not disconnect the device from the power supply during the import.

1. Go to **Settings > Import**.
2. Press the **Browse** button, select the file to be imported and then press the **Start upload** button.
 - » The file is checked.
3. Press the **Start update** button to start the import.
4. Press the **OK** button to restart the device following a successful import.

9.1.16 Linking to the visualization of external devices

You can create links to the web-based visualization of up to 5 devices. This enables you to call up the visualizations of other devices directly from the visualization of the ISM[®] device without having to know their IP address.



You can only call up the link to the visualization of an external device if you call up the visualization via a PC web browser. If you want to call up the visualizations of external devices via the MControl touch panel, you must add the IP addresses of the external devices as additional "servers" in the touch panel configuration.

9.1.16.1 Setting up an external visualization

To set up a link to the visualization of an external device, you must set the parameters described in the following.

> Go to **Settings > Parameters > System > External visualization**.

External visualization name

Use this parameter to set the designation for the link to the visualization of the external device (e.g., the designation of the external device).

External visualization product

Use this parameter to select the product whose visualization is to be called up. By doing so, depending on the product, a defined path is linked to the IP address of the external visualization (e.g., <IP address>/visu/home). If you select the "Generic IP address" option, a path will not be used.

External visualization protocol

Use this parameter to set the protocol for calling up the external visualization. You can select the following options:

- https
- http

External visualization IP address

Use this parameter to set the IP address of the external visualization.

9.1.16.2 Calling up an external visualization

To call up an external visualization, proceed as follows:

1. Go to **Information > System > External visualization**.

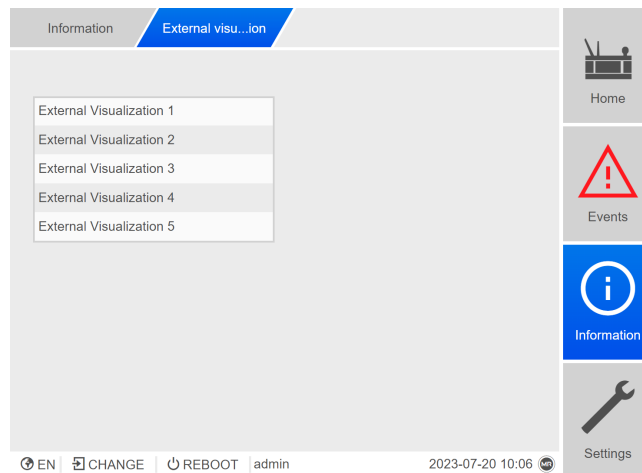


Figure 45: External visualization

2. Select the desired visualization.
 - » The visualization will be opened in a new tab in the browser.
3. If necessary, select the **Reopen** button to reopen the external visualization.

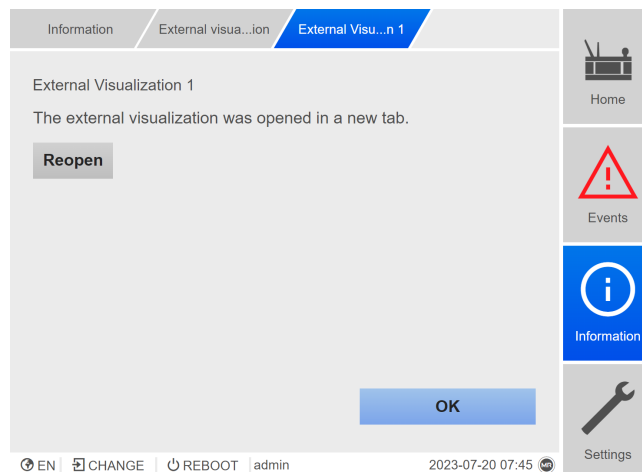


Figure 46: Visualization 1

9.2 Power grid

9.2.1 Transformer data

The transformation ratios and measuring set-up for the voltage and current transformers used in the system can be set with the following parameters. The device uses this information to calculate the corresponding measured values on the primary side of the current transformer (and therefore the transformer) from the recorded measured values. These are then displayed.

9.2.1.1 Setting transformer data

You can use the following parameters to set the transformer data. Also note the Examples for standard circuits for current transformers and voltage transformers.

> Go to **Settings** > **Parameter** > **Grid** > **Transformer data**.

Primary transformer voltage

You can use this parameter to set the primary voltage of the voltage transformer in kV.

Secondary transformer voltage

You can use this parameter to set the secondary voltage of the voltage transformer in kV.

Current measurement

You can use this parameter to activate or deactivate the current measurement function on the device. Deactivate current measurement if you have not connected the current measurement function to the device.



If you deactivate current measurement, device functions that use the current measurement value as an input variable (e.g. power monitoring) will not work.

Current transformer

You can use this parameter to set whether the device is operated with or without a current transformer.



If you select the **without** option, this affects all relevant functions and settings. This can lead to blocking or restricted functions. If you have previously set TDSC [► Section 9.3.1.1.2, Page 87], this function is deactivated. The device uses the desired value [► Page 86] you have selected.

Primary transformer current

You can use this parameter to set the primary current of the current transformer.

Secondary transformer current

You can use this parameter to set the secondary current of the current transformer. You can select the following options:

- 1 A
- 5 A

Phase angle correction

You can use this parameter to set the phase angle correction for your transformer circuit.

Voltage-transformer circuit

You can use this parameter to set your voltage transformer's circuit. You can select the following options:

Option	Description
1 Ph phase voltage	Measurement in 1-phase grid between the conductor and neutral conductor.
3 Ph differential voltage	Measurement in 3-phase grid between 2 conductors
3 Ph phase voltage	Measurement in 3-phase grid between the conductor and neutral conductor

Table 24: Voltage-transformer circuit

Current-transformer circuit

You can use this parameter to set the circuit for your current transformer. You can select the following options:

Option	Description
1 Ph phase current	Measurement of phase current in 1-phase grid.
3 Ph total current	Measurement of differential current in 3-phase grid.
3 Ph phase current	Measurement of phase current in 3-phase grid.

Table 25: Current-transformer circuit

9.2.1.2 Circuit examples for voltage transformers and current transformers

Below you will find different examples of circuits for voltage transformers and current transformers and the corresponding settings.

9.2.1.2.1 1-phase measurement

Circuit 1-A

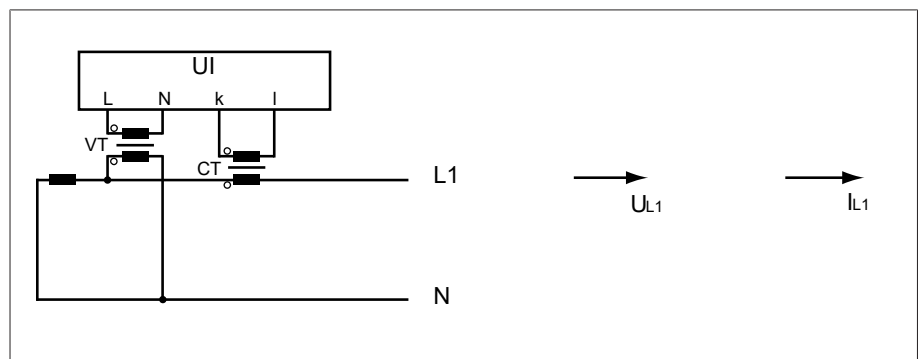


Figure 47: Circuit 1-A

- The voltage transformer VT is connected to the phase conductor and the neutral conductor.
- The current transformer CT is looped into the phase conductor.
- The voltage U_{L1} and current I_{L1} are in phase.
- The voltage drop on a phase conductor is determined by the current I_{L1} .

If you use this circuit, set the device as follows:

Parameter	Option
Voltage-transformer circuit	1 Ph phase voltage
Current-transformer circuit	1 Ph phase current
Phase angle correction	0°

Table 26: Circuit 1-A

Circuit 1-B

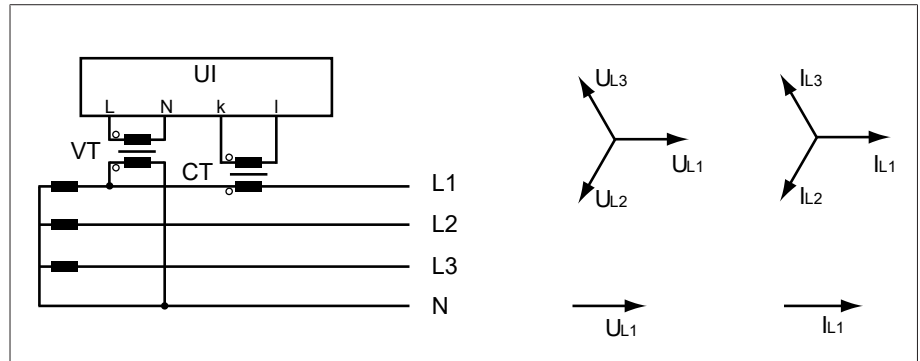


Figure 48: Circuit 1-B

- The voltage transformer VT is connected to the phase conductor L1 and the neutral conductor.
- The current transformer CT is looped into the phase conductor L1.
- The voltage U and current I are in phase.
- The voltage drop on a phase conductor is determined by the current I_{L1} .

If you use this circuit, set the device as follows:

Parameter	Option
Voltage-transformer circuit	3 Ph phase voltage
Current-transformer circuit	3 Ph phase current
Phase angle correction	0°

Table 27: Circuit 1-B

Circuit 1-C

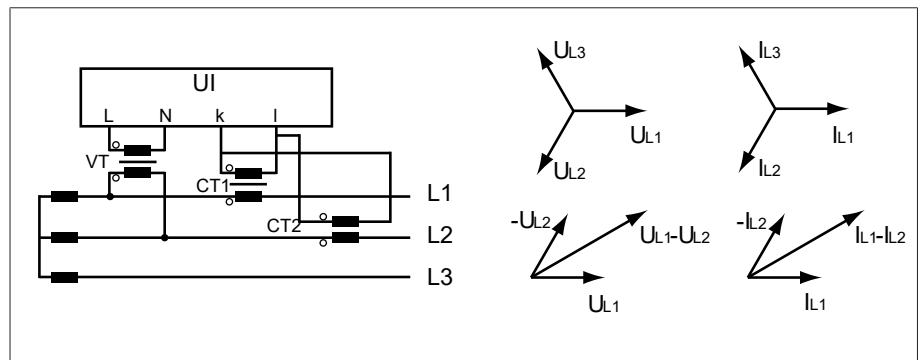


Figure 49: Circuit 1-C

- The voltage transformer VT is connected to the phase conductors L1 and L2.
- The current transformer CT1 is looped into the phase conductor L1 and CT2 is looped into the phase conductor L2.
- The current transformers CT1 and CT2 are connected crosswise in parallel (total current = $I_{L1} + I_{L2}$).

- The total current $I_{L1} + I_{L2}$ and voltage $U_{L1}-U_{L2}$ are in phase.
- The voltage drop on a phase conductor is determined by the current: $(I_{L1} + I_{L2}) / \sqrt{3}$.

If you use this circuit, set the device as follows:

Parameter	Option
Voltage-transformer circuit	3 Ph differential voltage
Current-transformer circuit	3 Ph total current
Phase angle correction	0°

Table 28: Circuit 1-C

Circuit 1-D

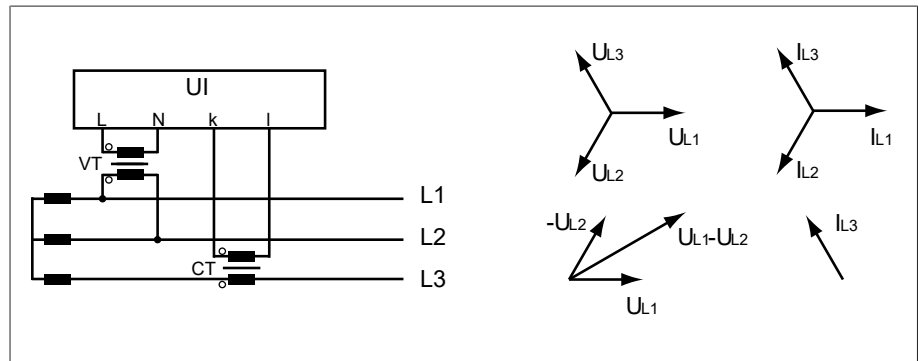


Figure 50: Circuit 1-D

- The voltage transformer VT is connected to the phase conductors L1 and L2.
- The current transformer CT is looped into the phase conductor L3.
- The current I_{L3} is ahead of voltage $U_{L1}-U_{L2}$ by 90°. This corresponds to a phase shift of -90°.
- The voltage drop on a phase conductor is determined by the current I_{L3} .

If you use this circuit, set the device as follows:

Parameter	Option
Voltage-transformer circuit	3 Ph differential voltage
Current-transformer circuit	3 Ph phase current
Phase angle correction	90°

Table 29: Circuit 1-D

Circuit 1-E

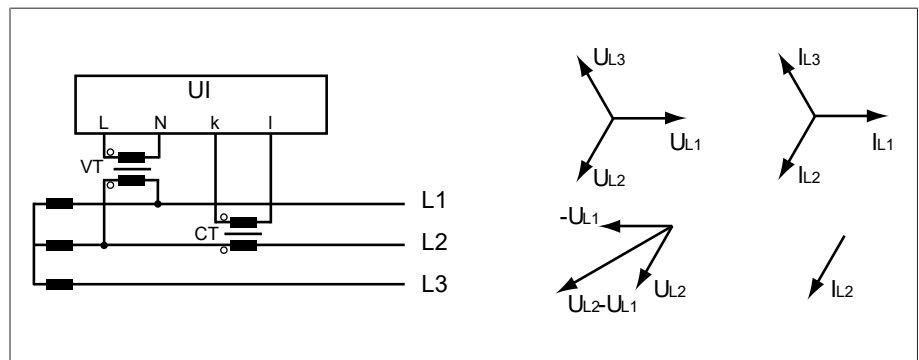


Figure 51: Circuit 1-E

- The voltage transformer VT is connected to the phase conductors L1 and L2.
- The current transformer CT is looped into the phase conductor L2.

- The current I_{L2} is ahead of voltage $U_{L2}-U_{L1}$ by 30° . This corresponds to a phase shift of -30° .
- The voltage drop on a phase conductor is determined by the current I_{L2} .

If you use this circuit, set the device as follows:

Parameter	Option
Voltage-transformer circuit	3 Ph differential voltage
Current-transformer circuit	3 Ph phase current
Phase angle correction	30°

Table 30: Circuit 1-E

Circuit 1-F

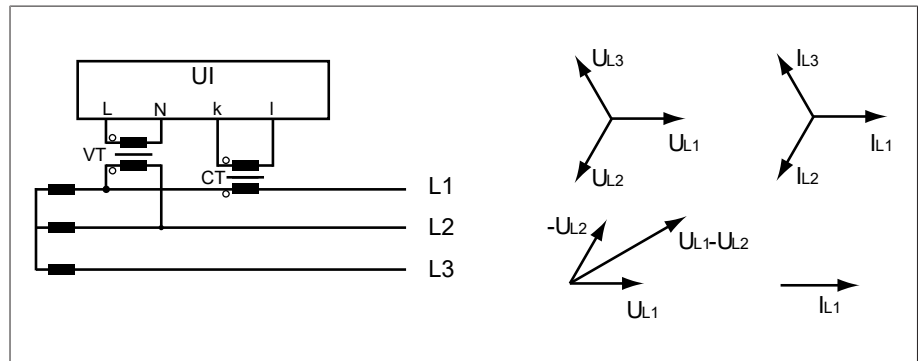


Figure 52: Circuit 1-F

- The voltage transformer VT is connected to the phase conductors L1 and L2.
- The current transformer CT is looped into the phase conductor L1.
- The current I_{L1} lags behind voltage $U_{L1}-U_{L2}$ by 30° . This corresponds to a phase shift of $+30^\circ$ and a correction value of -30° .
- The voltage drop on a phase conductor is determined by the current I_{L1} .

If you use this circuit, set the device as follows:

Parameter	Option
Voltage-transformer circuit	3 Ph differential voltage
Current-transformer circuit	3 Ph phase current
Phase angle correction	-30°

Table 31: Circuit 1-F

9.2.2 Measurement

You can use the following parameters to configure the measurement of current and voltage.

- > Go to **Settings > Parameters > Power grid > Measurement**.

Display power factor negative

You can use this parameter to set whether the device is to display a negative power factor. You can select the following options:

Option	Description
Off	The power factor is always shown as positive.
$P > 0$	The power factor is shown as negative if the active power is positive.
$P < 0$	The power factor is shown as negative if the active power is negative.
$Q > 0$	The power factor is shown as negative if the reactive power is positive.
$Q < 0$	The power factor is shown as negative if the reactive power is negative.

Table 32: Setting the display for the power factor

9.2.3 Voltage monitoring

In order to monitor the transformer's current output voltage, you can set 4 limit values:

- Undervoltage $U <<$: Lower limit 2
- Undervoltage $U <$: Lower limit 1
- Overvoltage $U >$: Upper limit 1
- Overvoltage $U >>$: Upper limit 2

If the measured value is higher than the upper limit ($>$ or $>>$) or lower than the lower limit ($<$ or $<<$), the device transmits an event message.

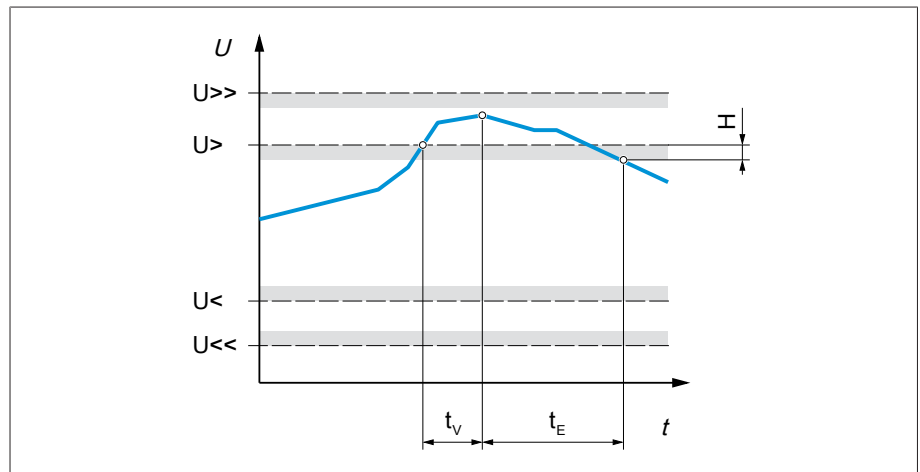


Figure 53: Example of voltage monitoring with the limit value Overvoltage $U >$ being exceeded

$U >>$	Overvoltage $U >>$	$U >$	Overvoltage $U >$
$U <$	Undervoltage $U <$	$U <<$	Undervoltage $U <<$
t_v	Delay time	t_E	Event duration
H	Hysteresis		

> Go to **Settings > Parameters > Power grid > Voltage monitoring**.

Mode

You can use this parameter to set which limit value you would like to use:

- Absolute: The device uses the absolute limit value in V.
- Relative: The device uses the relative limit value in %, relative to the desired voltage value.

Behavior

You can use this parameter to set the behavior of the device if the measured value is higher than the upper limit (> or >>) or lower than the lower limit (< or <<). You can select the following options:

Setting	Behavior
Off	No reaction.
High-speed return	For $U < /U <<$: The device performs tap-change operations in the raise voltage direction (U+) until the measured voltage is back above the limit value. For $U > /U >>$: The device performs tap-change operations in the lower voltage direction (U-) until the measured voltage is back below the limit value. With high-speed return, the device ignores the set delay time of automatic voltage regulation.
Auto blocking	Automatic regulation is blocked. You can continue to perform tap-change operations in manual mode.
Auto/manual blocking	Automatic regulation is blocked. You cannot perform tap-change operations in manual mode.
Auto blocking position+	The automatic control does not perform a tap-change operation in the direction of a higher tap position (position+). You can still perform a tap-change operation in the direction of a higher tap position (position+) in manual mode.
Auto blocking position-	The automatic control does not perform a tap-change operation in the direction of a lower tap position (position-). You can still perform a tap-change operation in the direction of a lower tap position (position-) in manual mode.
Auto/manual blocking position+	The automatic control does not perform a tap-change operation in the direction of a higher tap position (position+). You cannot perform a tap-change operation in the direction of a higher tap position (position+) in manual mode.
Auto/manual blocking position-	The automatic control does not perform a tap-change operation in the direction of a lower tap position (position-). You cannot perform a tap-change operation in the direction of a lower tap position (position-) in manual mode.

Table 33: Behavior when an event message is issued

Hysteresis

You can use this parameter to set the hysteresis. You can use this to avoid the unnecessary generation of messages if the measured value fluctuates around a threshold value.

Delay time

You can use this parameter to set the delay time in order to delay the issuing of the event message.

9.2.4 Current monitoring

For monitoring the transformer's current load current, you can set 4 limit values :

- I<<: Lower limit 2
- I<: Lower limit 1
- I>: Upper limit 1
- I>>: Upper limit 2

If the measured value is higher than the upper limit (> or >>) or lower than the lower limit (< or <<), the device transmits an event message.

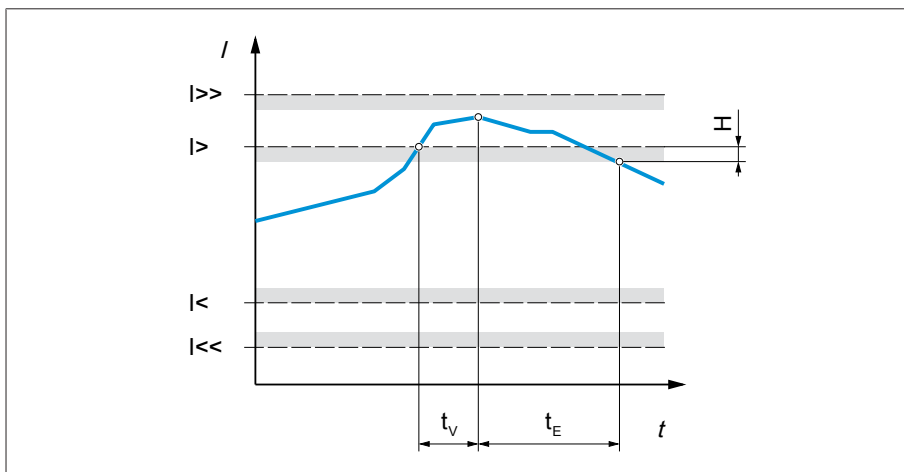


Figure 54: Example of current monitoring with the limit value I> being exceeded

I>>	Upper limit 2	I>	Upper limit 1
I<	Lower limit 1	I<<	Lower limit 2
t _v	Delay time	t _E	Event duration
H	Hysteresis		

> Go to **Settings > Parameters > Power grid > Current monitoring**.

Mode

You can use this parameter to set which limit value you would like to use:

- Absolute: The device uses the absolute limit value in A/kA.
- Relative: The device uses the relative limit value in %, relative to the rated current of current transformer.

Hysteresis

You can use this parameter to set the hysteresis. You can use this to avoid the unnecessary generation of messages if the measured value fluctuates around a threshold value.

Delay time

You can use this parameter to set the delay time in order to delay the issuing of the event message.

Reaction

You can use this parameter to set the behavior of the device if the measured value is higher than the upper limit (> or >>) or lower than the lower limit (< or <<). You can select the following options:

Setting	Behavior
Off	No reaction.
Auto blocking	Automatic regulation is blocked. You can continue to perform tap-change operations in manual mode.
Auto/manual blocking	Automatic regulation is blocked. You cannot perform tap-change operations in manual mode.

Table 34: Behavior when an event message is issued

9.2.5 Power monitoring

For monitoring the transformer's current power, you can set the following limit values:

Measured value	Lower limit 2	Lower limit 1	Upper limit 1	Upper limit 2
Apparent power	S<<	S<	S>	S>>
Active power	P<<	P<	P>	P>>
Reactive power	Q<<	Q<	Q>	Q>>
Power factor (amount)	$ \cos \varphi <<$	$ \cos \varphi <$	-	-

Table 35: Limit values for power monitoring

> Go to **Settings > Parameters > Power grid > Power monitoring**.

Absolute

You can use this parameter to specify a limit value.

Hysteresis

You can use this parameter to set the hysteresis. You can use this to avoid the unnecessary generation of messages if the measured value fluctuates around a threshold value.

Delay time

You can use this parameter to set the delay time in order to delay the issuing of the event message.

Reaction

You can use this parameter to set the behavior of the device if the measured value is higher than the upper limit (> or >>) or lower than the lower limit (< or <<). You can select the following options:

Setting	Behavior
Off	No reaction.
Auto blocking	Automatic regulation is blocked. You can continue to perform tap-change operations in manual mode.
Auto blocking position-	The automatic control does not perform a tap-change operation in the direction of a lower tap position (position-). You can continue to perform tap-change operations in manual mode.
Auto blocking position+	The automatic control does not perform a tap-change operation in the direction of a higher tap position (position+). You can continue to perform tap-change operations in manual mode.
Auto/manual blocking	Automatic regulation is blocked. You cannot perform tap-change operations in manual mode.
Auto/manual blocking position-	The automatic control does not perform a tap-change operation in the direction of a lower tap position (position-). You cannot perform a tap-change operation in the direction of a lower tap position (position-) in manual mode.
Auto/manual blocking position+	The automatic control does not perform a tap-change operation in the direction of a higher tap position (position+). You cannot perform a tap-change operation in the direction of a higher tap position (position+) in manual mode.

Table 36: Behavior when an event message is issued

9.2.6 Power flow monitoring

A reversal of power flow occurs if the active power is negative. You can set the following parameters for this:

- Hysteresis
- Delay time
- Behavior

> Go to **Settings > Parameter > Power grid > Power flow monitoring**.

Hysteresis

You can use this parameter to set the hysteresis. You can use this to avoid the unnecessary generation of messages if the measured value fluctuates around a threshold value.

Delay time

You can use this parameter to set the delay time in order to delay the issuing of the event message.

Behavior for reversal of power flow

You can use this parameter to set the behavior in the event of a reversal of power flow. You can select the following options:

Setting	Behavior
Off	<ul style="list-style-type: none">- The negative power flow is ignored.- Automatic regulation remains active.
Auto blocking	<ul style="list-style-type: none">- The <i>Reversal of power flow</i> event is issued.- Automatic regulation is blocked.
Auto/manual blocking	<ul style="list-style-type: none">- The <i>Reversal of power flow</i> event is issued.- Automatic regulation is blocked.- You cannot perform tap-change operations in manual mode.
Target tap position	<ul style="list-style-type: none">- The <i>Reversal of power flow</i> event is issued.- The device triggers a tap-change operation to the tap position you defined in the "Target tap position" [▶ Section 9.4.3, Page 106] parameter.- The device blocks further tap-change operations.- The target-tap-position operation is ignored if there is no tap-position capture. Automatic regulation is blocked.

Table 37: Behavior in the event of a reversal of power flow

9.2.7 Monitoring settings

Go to **Settings > Parameters > Power grid > Monitoring settings**.

Monitoring U < 30 V

You can use this parameter to activate events and function monitoring. You can select the following options:

Setting	Behavior
Activate	Monitoring is activated, even if the measured voltage $U < 30$ V.
Deactivate	Monitoring is activated. Between $19\text{ V} < U < 30\text{ V}$, the following monitoring processes are suppressed: <ul style="list-style-type: none">- Voltage monitoring- Power monitoring- Power flow monitoring- Function monitoring

Table 38: Activate function monitoring

9.2.8 TAPCON® 2xx retrofit

The TAPCON® 2xx retrofit function allows you to operate the device in parallel operation with existing devices. Parallel operation with the following existing devices is supported:

- Predecessor devices: TAPCON® 230 pro/expert
- TAPCON® 240
- TAPCON® 250
- TAPCON® 260
- TRAFOGUARD® with "Voltage regulation" options package

If you wish to operate several devices in parallel operation with existing devices, you have to activate the TAPCON® 2xx retrofit function on each device.

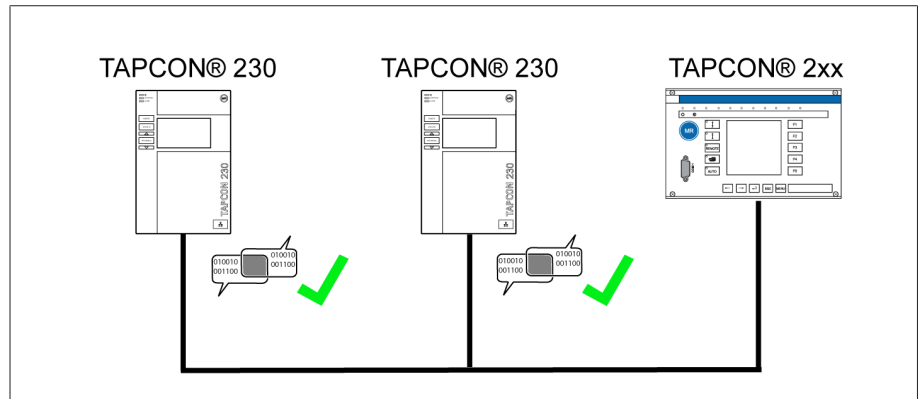


Figure 55: Parallel operation of 2 devices with one TAPCON® 2xx

> Go to **Settings** > **Parameters** > **Power grid** > **TAPCON® 2xx retrofit**.

TAPCON® 2xx retrofit

You can use this parameter to activate or deactivate the Retrofit TAPCON® 2xx function.



If you activate this parameter, you have to reverse the prefix of the "Phase angle correction" parameter for the transformer data (from - to + or from + to -).

9.3 On-load tap-changer regulator

9.3.1 Voltage regulation

All of the parameters required for the control function are described in this section.

> Go to **Settings > Parameter > Voltage regulator**.

9.3.1.1 Setting the desired value

You can set three different desired values. The device always uses one of the set desired values for control. You can define which desired value is used for regulation with the "Change remote desired value setting" parameter. You can define up to 3 desired values.

Setting desired value 1...3

You can set the desired value with this parameter.

1. Go to **Settings > Parameters > On-load tap-changer > Voltage regulation > Desired value**.
2. Enter the desired value.
3. Press the **Accept** button to save the modified parameter.

Changing the remote desired value setting

You can use this parameter to select the type of remote desired value setting which the device is to use for regulation. You can select between the following options:

- Remote desired value setting using 3 digital desired values
 - For this option, make sure that the corresponding digital inputs are connected.
- Remote desired value setting using analog desired values
 - For this option, make sure that the corresponding analog input is connected.
- Remote desired value setting using TDSC

1. Go to **Settings > Parameters > On-load tap-changer > Voltage regulation > Change remote desired value setting**.
2. Select the desired option in the list.
3. Press the **Accept** button to save the modified parameter.

Selecting a desired value

You can use this parameter to select the desired value used for control. You can choose between desired value 1, desired value 2 and desired value 3.

✓ Type of remote desired value setting [▶ Page 86] selected.

1. Go to **Settings > Parameters > On-load tap-changer > Voltage regulation > Desired value**.
2. Select the desired value from the list.
3. Press the **Accept** button to save the modified parameter.

9.3.1.1.1 Analog setting of the desired value

With the analog setting of the desired value, the desired value for the automatic voltage regulation can be variably adapted using an analog signal (e.g. 4...20 mA).

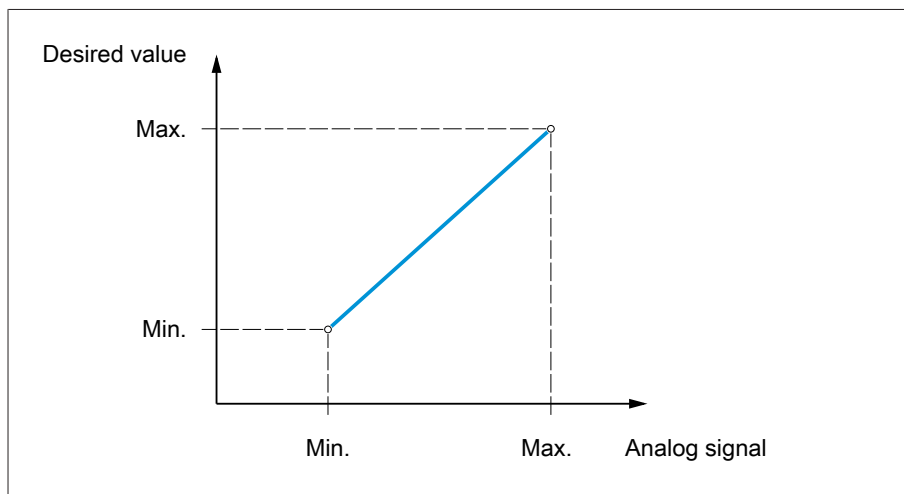


Figure 56: Analog setting of the desired value

In order to configure the analog setting of the desired value, you can set the parameters as described below.



To specify the desired value using an analog signal, you need to create a signal at the *Desired value setting release* input. If this is not done, the device uses the set desired value 1.

Setting desired value 1

1. Go to **Settings > Parameters > Voltage regulator > Regulation > Desired value 1**.
2. Enter the desired value.
3. Press the **Accept** button to save the modified parameter.

Setting max. desired value setting

With this parameter, you can set the desired value that corresponds to the maximum level of the analog signal level (e.g. 20 mA for 4...20 mA signal).

1. Go to **Settings > Parameters > Control > Setting max. desired value**.
2. Enter desired value.
3. Press the **Accept** button to save the modified parameter.

Setting min. desired value setting

With this parameter, you can set the desired value that corresponds to the minimum level of the analog signal (e.g. 4 mA for 4...20 mA signal).

1. Go to **Settings > Parameters > Control > Setting min. desired value**.
2. Enter desired value.
3. Press the **Accept** button to save the modified parameter.

9.3.1.1.2 Active power-dependent adjustment of desired voltage value

The TAPCON® Dynamic Setpoint Control (TDSC) function is used to adapt the desired voltage value depending on the measured active power. This allows you to compensate for a voltage drop during increased load or a voltage increase due to a decentralized feed-in.

Depending on whether positive or negative active power is measured, the desired value calculation is based on 2 linear equations (see example in diagram below).

Parameter	Function	Settings (see diagram below)
U_{max} : Maximum desired value	Maximum set desired value is activated when P_{max} is exceeded.	103.0 V
U_{min} : Minimum desired value	Minimum set desired value is activated when value falls below P_{min} .	99.0 V
U_0 : Desired value at 0 active power	Set desired value is activated when measured active power is 0 MW.	100.00 V
P_{max} : Active power at max. desired value	Set maximum active power value above which the power-dependent desired value is to attain the maximum value U_{max} .	20.0 MW
P_{min} : Active power at min. desired value	Set minimum active power value below which the power-dependent desired value is to attain the minimum value U_{min} .	-20.0 MW

Table 39: Parameters to be set for active power-dependent adjustment of desired voltage value

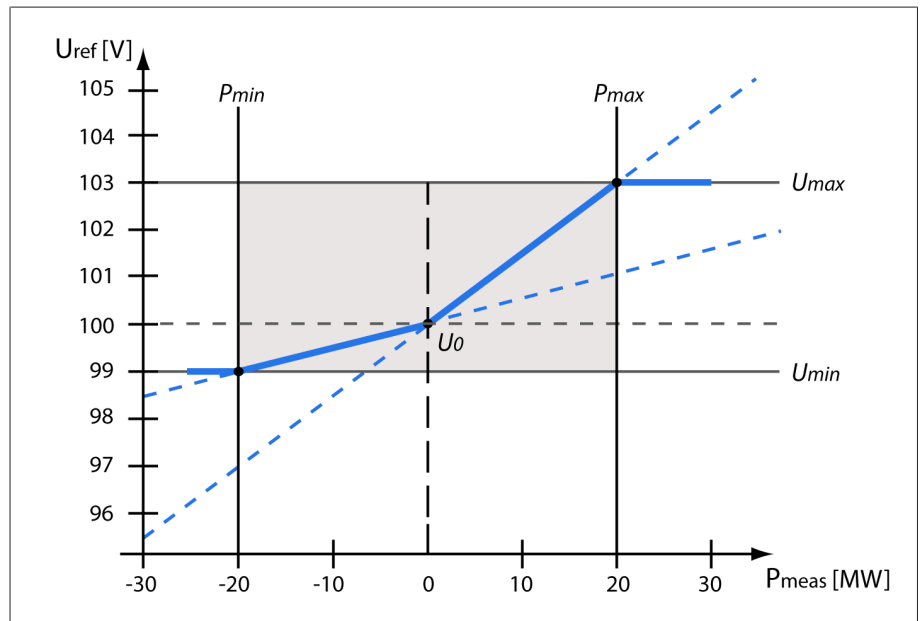


Figure 57: Active power-dependent adjustment of desired voltage value

U_{ref}	Desired value	U_{min}	Minimum desired value
P_{meas}	Measured active power	U_{max}	Maximum desired value
P_{min}	Active power at minimum desired value	U_0	Set desired value when measured active power = 0
P_{max}	Active power at maximum desired value		

Response to active power P_{max} being exceeded

If the measured active power P_{meas} exceeds the set parameter P_{max} , the value U_{max} is adopted as the desired value.

$$U_{ref} = U_{max}$$

Response to value falling below active power P_{\min}

If the measured active power P_{meas} falls below the set parameter P_{\min} , the value U_{\min} is adopted as the desired value.

$$U_{\text{ref}} = U_{\min}$$

Response to a measured active power $P_{\text{meas}} = 0$ MW:

If the measured active power $P_{\text{meas}} = 0$, the set parameter U_0 is adopted.

$$U_{\text{ref}} = U_0$$

Linear dependency with negative active power:

If the measured active power $P_{\min} \leq P_{\text{meas}} \leq 0$, the desired value is calculated using the following equation:

$$U_{\text{ref}} = \frac{U_0 - U_{\min}}{0 - P_{\min}} \times P_{\text{meas}} + U_0$$

Linear dependency with positive active power:

If the measured active power $0 \leq P_{\text{meas}} \leq P_{\max}$, the desired value is calculated using the following equation:

$$U_{\text{ref}} = \frac{U_{\max} - U_0}{P_{\max}} \times P_{\text{meas}} + U_0$$

To activate the active power-dependent adjustment of the desired voltage value, you need to set the following parameters:

Activating TDSC

The TDSC function is only active when the device can calculate the active power (correct current measurement and voltage measurement) and the required parameters are set. If this is not the case, voltage regulation is in accordance with the set desired value. You can activate or deactivate the power-dependent adjustment of the desired voltage value as follows:

- Parameter
- Digital inputs *TDSC on* and *TDSC off*



If you activate TDSC, the line drop compensation (R&X compensation or Z compensation) function is deactivated.

To activate/deactivate TDSC using parameters, proceed as follows:

1. Go to **Settings > Parameters > Control > Activate TDSC**.
2. Select the desired option.
3. Press the **Accept** button to save the modified parameter.

TDSC U_{\max}/U_{\min}

You can use these parameters to set the maximum and minimum desired value. The maximum or minimum desired value is activated when the measured active power reaches the set minimum or maximum active power.

1. Go to **Settings > Parameters > Control > TDSC U_{\max}/U_{\min}** .
2. Enter maximum/minimum desired value.
3. Press the **Accept** button to save the modified parameter.

TDSC U_0

You can use this parameter to set the desired value which is to be used when the measured active power is 0.

1. Go to **Settings > Parameters > Control > TDSC U_0** .
2. Enter desired value at active power 0.
3. Press the **Accept** button to save the modified parameter.

TDSC Pmax/Pmin

You can use these parameters to set the maximum and minimum active power value at which the maximum and minimum active power-dependent desired value is to be used for regulation.

1. Go to **Settings > Parameters > Control > TDSC Pmax/Pmin**.
2. Enter active power for maximum/minimum desired value.
3. Press the **Accept** button to save the modified parameter.

Bandwidth setting

You can use this parameter to set whether you want the bandwidth as an absolute variable (V or kV) or relative variable (%) in relation to the desired value.

Bandwidth

You can use this parameter to set the maximum permissible deviation of the measured voltage U_{actual} from the desired value U_{desired} .



In order to set the correct value, the transformer step voltage and nominal voltage must be known. Note that a large bandwidth will result in a large control deviation.

The bandwidth must always be greater than the following value:

$$B \geq 0,6 \times \frac{U_{n-1} - U_n}{U_N} \times 100\%$$

U_{n-1}	Step voltage of tap position n-1
U_n	Step voltage of tap position n
U_N	Nominal voltage



The following transformer values are used to determine the minimum bandwidth:

Nominal voltage $U_N = 11000 \text{ V}$

Step voltage in tap position 4 $U_{\text{Step4}} = 11275 \text{ V}$

Step voltage in tap position 5 $U_{\text{Step5}} = 11000 \text{ V}$

$$[\pm B\%] \geq 0,6 \cdot \frac{U_{\text{Step4}} - U_{\text{Step5}}}{U_{\text{nom}}} \cdot 100\%$$

$$[\pm B\%] \geq 0,6 \cdot \frac{11275 \text{ V} - 11000 \text{ V}}{11000 \text{ V}} \cdot 100\%$$

$$[\pm B\%] \geq 1,5\%$$

Delay time T1

Delay time T1 delays the issuing of a tap-change command for a defined period. This prevents unnecessary tap-change operations if the tolerance bandwidth is exited briefly.

Response to delay time T1 If the control variable **5** is within the set bandwidth **6**, no control commands are issued to the motor drive unit for the tap change. Control commands will also not be issued to the motor-drive unit if the control variable returns to the bandwidth **4** within the set delay time T1 **6**. However, if the control variable deviates from the set bandwidth for a long period **C**, a tap-change command

D is issued after expiration of the set delay time T_1 . The on-load tap-changer carries out a tap-change in a raise or lower direction to return to the tolerance bandwidth.

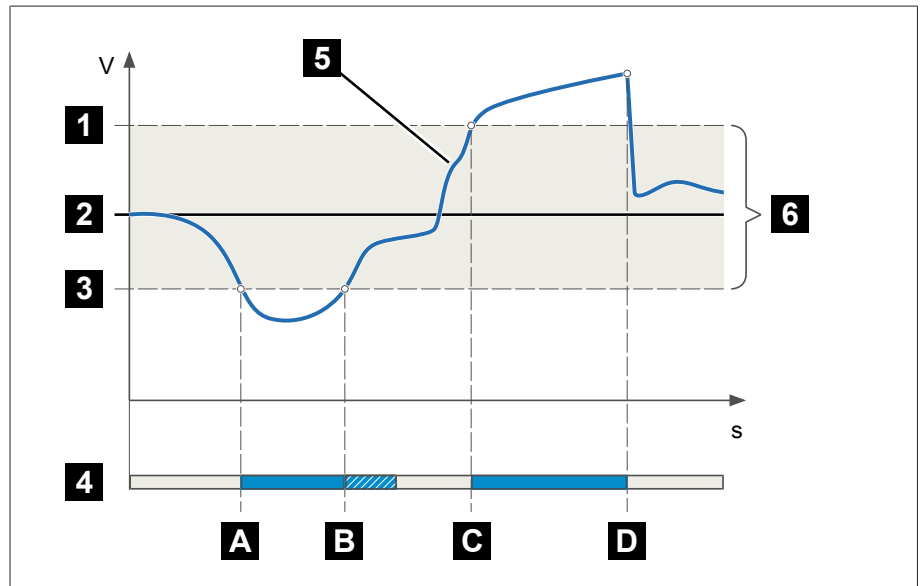


Figure 58: Behavior of the control function with delay time T_1

1	Upper limit of bandwidth	4	Set delay time T_1
2	Desired value	5	Control variable measured value
3	Lower limit of bandwidth	6	Bandwidth range
A	Control variable is outside of the bandwidth. Delay time T_1 starts.	B	Control variable returned to within the bandwidth before delay time T_1 has expired.
C	Control variable is outside of the bandwidth. Delay time T_1 starts.	D	Control variable is still outside the bandwidth when delay time T_1 is complete. Tap-change operation is initiated.

Time response T_1

You can use this parameter to set the time response for delay time T_1 . You can select the following options:

- Linear time response
- Integral time response

Linear time response With linear time response, the device responds with a constant delay time regardless of the control deviation.

Integral time response With integral time response, the device responds with a variable delay time depending on the control deviation. The greater the control deviation (ΔU) in relation to the set bandwidth (B), the shorter the delay time. This means that the device responds faster to large voltage changes in the grid. Regulation accuracy improves as a result but the frequency of tap-changes increases too.

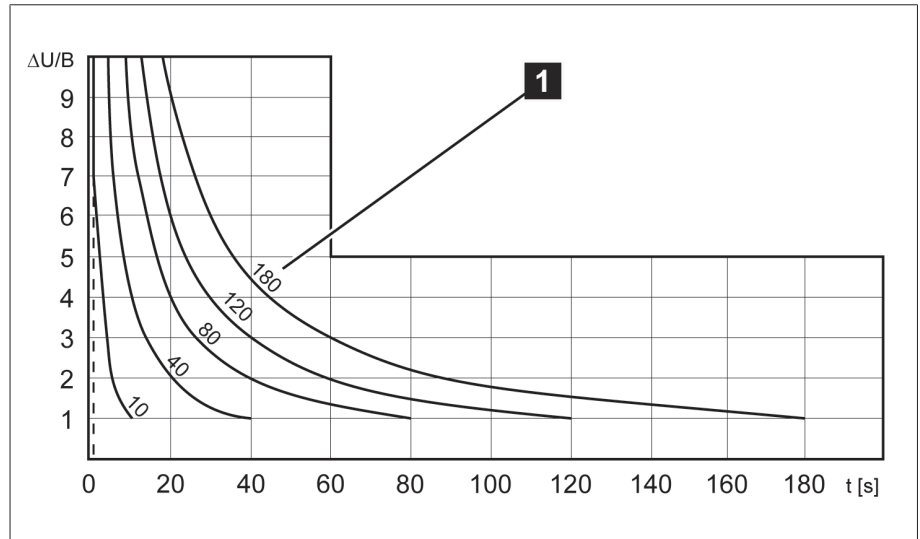


Figure 59: Diagram for integral time response

$\Delta U/B$	Control deviation " ΔU " as % of desired value in relation to the set bandwidth " B " as % of desired value
1	"Delay time T1" parameter

Delay time T2

You can use this parameter to set delay time T2. Delay time T2 is used to compensate for large control deviations faster.

The delay time T2 only takes effect if more than one tap-change operation is required to correct the control deviation. The first output pulse occurs after the set delay time T1. After the set tap-change delay time T2 has elapsed, additional pulses occur in order to correct the existing control deviation.

The following requirements must be noted to set delay time T2:

- The delay time T2 must be greater than the switching pulse time.
- The delay time T2 must be greater than the maximum operating time of the motor-drive unit.
- The delay time T2 must be less than the value set for delay time T1.

Behavior with delay times T1 and T2 If the control variable **5** deviates from the set bandwidth for a long period **A**, a control impulse is output to the motor-drive unit after the set delay time T1 **B**. If the control variable is still outside the bandwidth, delay time T2 **B** starts to

count down. Once delay time T2 is complete, a control impulse is again issued to the motor-drive unit for the tap change **C** to return to the tolerance bandwidth.

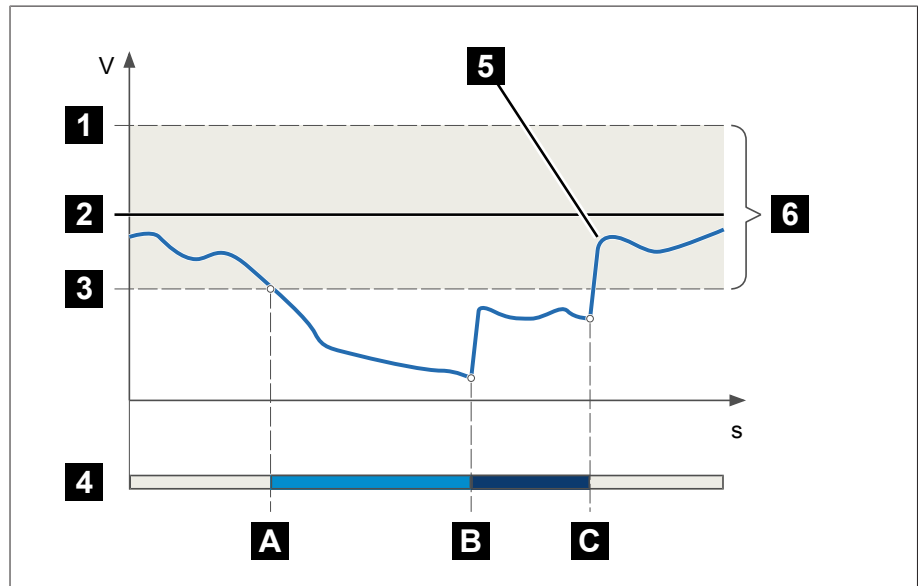


Figure 60: Behavior of the regulation function with delay times T1 and T2

1	Upper limit of bandwidth	4	Set delay times T1 and T2.
2	Desired value	5	Control variable measured value
3	Lower limit of bandwidth	6	Bandwidth range
A	Control variable is outside of the bandwidth. Delay time T1 starts.	B	Delay time T1 complete. Tap change triggered.
C	Delay time T2 complete. Tap change triggered.		

Activate delay time T2

You can use this parameter to activate or deactivate the delay time T2.

9.3.2 Line drop compensation

You can use the compensation function to compensate for the load-dependent voltage drop between the transformer and consumer. The device provides 2 methods of compensation for this purpose:

- R&X compensation
- Z compensation

9.3.2.1 R&X compensation

R&X compensation can compensate for voltage losses on the lines and therefore ensure correct voltage at the load. This requires precise line data. After you have entered all of the line data, the device automatically calculates the ohmic and inductive voltage drop and takes this into account for automatic voltage regulation.

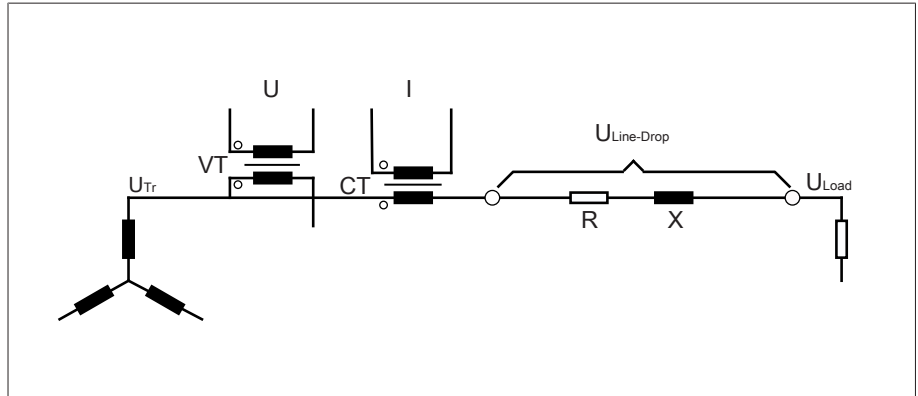


Figure 61: Equivalent circuit of R&X compensation

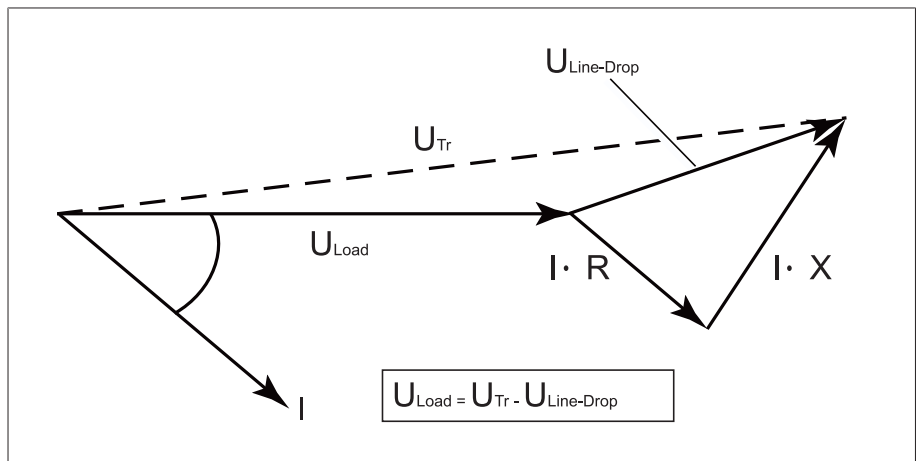


Figure 62: Phasor diagram of R&X compensation

To use R&X compensation, you have to enter the following line data:

- Ohmic resistance load in $\text{m}\Omega/\text{m}$
 - Inductive resistance load in $\text{m}\Omega/\text{m}$
 - Length of line in km
- > Go to **Settings** > **Parameters** > **Voltage regulator** > **Compensation**.

Ohmic resistance load

You can use this parameter to set the ohmic resistance load.

Inductive resistance load

You can use this parameter to set the inductive resistance load.

Length of line

You can use this parameter to set the length of line.

9.3.2.2 Z compensation

To keep the voltage constant for the consumer, you can use Z compensation to activate a current-dependent voltage increase. You can also define a limit value to avoid excess voltage on the transformer.

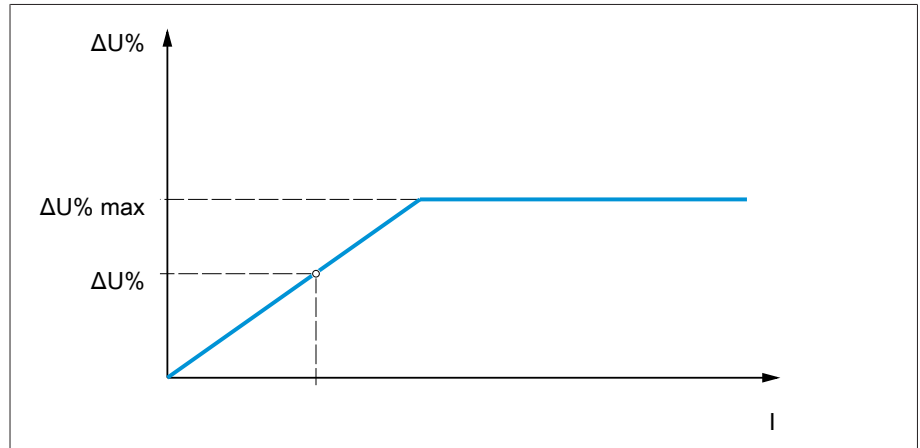


Figure 63: Z compensation

To use Z compensation, you need to calculate the voltage increase (ΔU) taking the current into account. Use the following formula for this purpose:

$$\Delta U = \frac{U_{Tr} - U_{Load} \times \frac{I_N \times k_{CT}}{I}}{U_{Load}} \times 100\%$$

ΔU	Voltage increase	I	Load current in A
U_{Tr}	Transformer voltage at current I	I_N	Nominal current of current-transformer connection in A
U_{Load}	Voltage on line end at current I and on-load tap-changer in same operating position	k_{CT}	Current transformer transmission ratio



Sample calculation: $U_{Tr} = 100.1 \text{ V}$, $U_{Load} = 100.0 \text{ V}$, $I_N = 5 \text{ A}$, $k_{CT} = 200 \text{ A/5 A}$, $I = 100 \text{ A}$
 Produces a voltage increase ΔU of 0.2%

> Go to **Settings > Parameters > Voltage regulator > Compensation**.

Voltage increase

You can use this parameter to set the current-dependent voltage increase ΔU .

Voltage limit value

You can use this parameter to define the maximum permissible voltage increase to avoid excess voltage on the transformer.

9.3.3 Parallel operation

Parallel transformer operation is used to increase the throughput capacity or short-circuit capacity at one location. The device provides you with specific functions for regulating transformers.

Conditions for parallel operation Compliance with the following general conditions is required for operating transformers in parallel:

- Identical rated voltages
- Transformer power ratio (< 3 : 1)

- Maximum deviation of short-circuit voltages (U_k) for transformers connected in parallel < 10%
- The same number of switching groups
- For parallel operation with CAN communication: Current transformers with the same connection values must be used for all devices operating in parallel

9.3.3.1 Parallel operation methods

You can undertake parallel operation with various parallel operation methods.

9.3.3.1.1 Tap synchronization

With the **tap synchronization** parallel operation method, one voltage regulator works as the master and all others as followers.

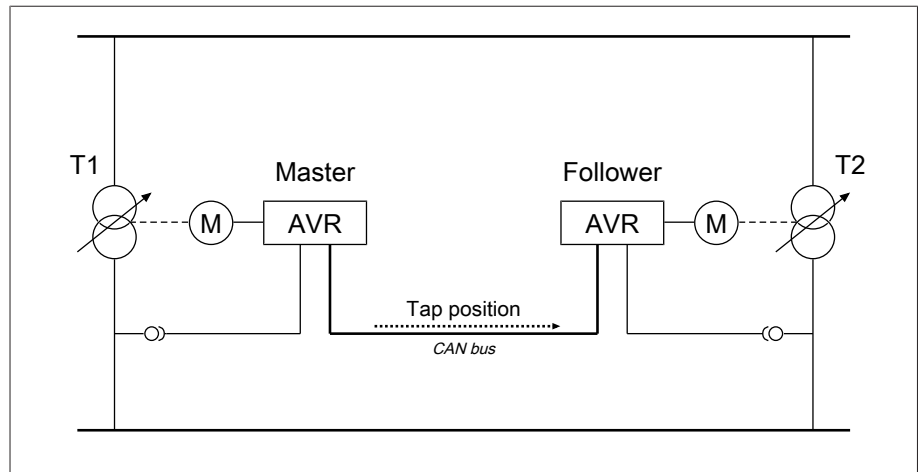


Figure 64: Tap synchronization

The master handles voltage regulation and transmits its current tap positions to all followers via the CAN bus. The followers compare the tap position received with their own tap position. If the tap position is not the same, the followers switch to the tap position received from the master. This ensures that the transformers operating in parallel are always in the same tap position.

You can set whether the master transmits the change in tap position to the followers before or after its own tap-change operation. The devices then either change position sequentially (first the master, then the followers) or in synch (master and followers at the same time).

If there is a tap difference between the master and followers, the master refrains from issuing any control commands to the motor-drive unit until all of the followers have reached the same tap position. If the tap difference persists for longer than the set delay time for parallel operation error messages, the master triggers the *Step difference to follower* event.

You can explicitly designate the voltage regulators as master and followers, or set automatic designation using the CAN bus address.

For the tap synchronization parallel operation method, you have to set the following parameters:

Parameter	Auto	Master	Follower
Activating parallel operation	Yes		
Parallel operation method	Auto. tap sync.	Master	Follower
CAN bus address	Yes		

Parameter	Auto	Master	Follower
Circulating reactive current blocking limit	Optional, if master/follower current blocking is active		
Master/follower current blocking	Yes		
Master/follower switching characteristics	Yes		
Maximum tap difference	Yes (if follower)	No	Yes
Error if no communication present	Yes		
Behavior if no communication present	Yes		
Parallel operation error delay time	Yes		

Table 40: Parameter

9.3.3.1.2 Circulating reactive current minimization with CAN bus communication

With the **circulating reactive current** parallel operation method, parallel operation is carried out using the circulating reactive current minimization method.

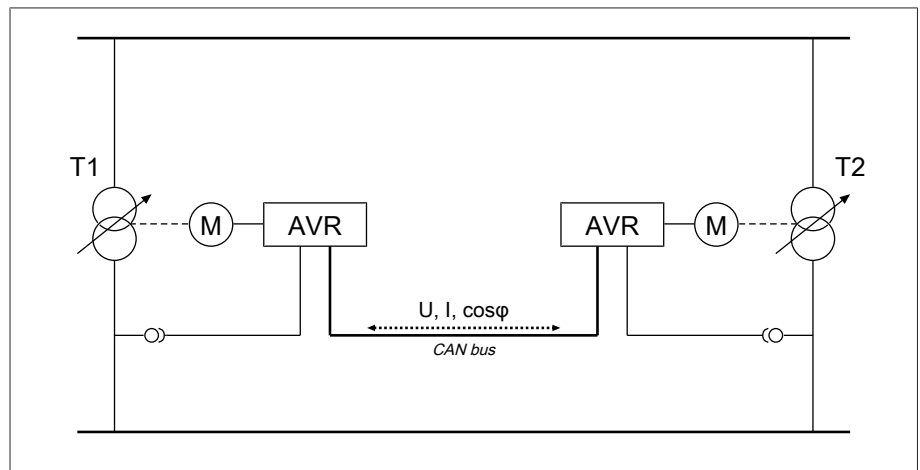


Figure 65: Circulating reactive current minimization with CAN bus communication

The circulating reactive current is calculated from the transformer currents and their phase angles. The voltage regulators in the parallel operation group share this information via CAN bus. An extra control deviation proportional to circulating reactive current is added to the independently regulating voltage regulators as a correction for the control deviation determined on the basis of the measurement voltage. You can use the circulating reactive current sensitivity parameter to decrease or increase this extra control deviation.

The circulating reactive current method is suited to transformers connected in parallel with a similar nominal output and short-circuit voltage U_k and to vector groups with the same and different step voltages. This does not require any information about the tap position.

Note that the following prerequisites must be met for the "circulating reactive current minimization" parallel operation method:

- You have to use current transformers with the same rated values for all transformers in parallel operation.
- If you wish to operate in parallel operation with existing devices, you have to activate the Retrofit TAPCON® 2xx parameter.

For the circulating reactive current minimization parallel operation method with CAN communication, you have to set the following parameters:

- Activate parallel operation
- Parallel operation method: Circulating reactive current
- CAN bus address
- Circulating reactive current sensitivity
- Circul. reactive current blocking limit
- Error if no communication present
- Behavior if no communication present
- Parallel operation error delay time

9.3.3.1.3 Circulating reactive current minimization without CAN bus communication

With this method, you can operate several voltage regulators without a communication connection (CAN bus) in parallel with circulating reactive current minimization.

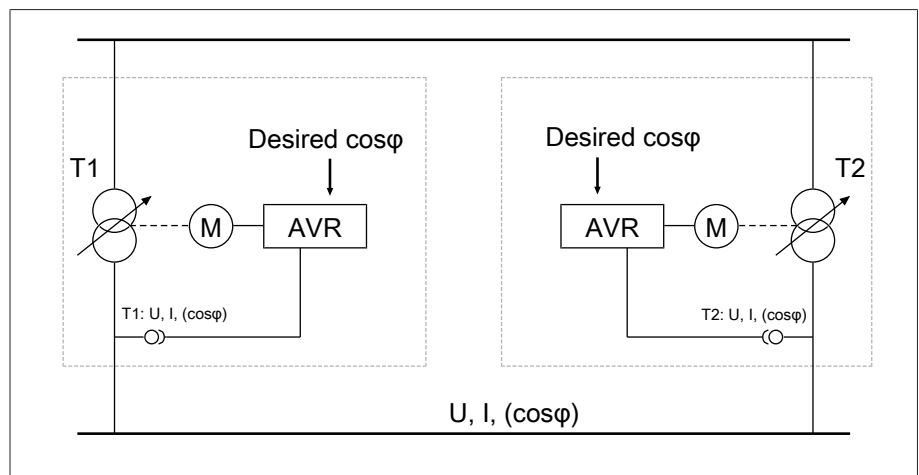


Figure 66: Circulating reactive current minimization without CAN bus communication

The circulating reactive current is calculated using the desired power factor parameter, the desired load stress type parameter, and the measured transformer current. An extra control deviation proportional to circulating reactive current is added to the independently regulating voltage regulators as a correction for the control deviation determined on the basis of the measurement voltage. This extra control deviation depends on how much the measured power factor deviates from the desired power factor.

To use the power factor method, you need to know the conditions of your network in order to correctly set the device parameters.

The power factor method is suited to transformers connected in parallel with a similar nominal output and short-circuit voltage U_k and to vector groups with the same and different step voltages. This does not require any information about the tap position.

For the circulating reactive current minimization parallel operation method without CAN communication, you have to set the following parameters:

- Activating parallel operation
- Parallel operation method: Power factor
- Circulating reactive current sensitivity
- Circulating reactive current blocking limit
- Desired power factor
- Desired load stress type
- Parallel operation error delay time



Note that the parameters "Error if no communication" and "Behavior if no communication" have no function in the circulating reactive current minimization without CAN communication parallel operation method.

9.3.3.2 Configuring parallel operation

In the **Parallel operation** menu item, you can set the parameters needed for parallel transformer operation.

> Go to **Settings > Parameter > Voltage regulator > Parallel operation**.

9.3.3.2.1 Activating parallel operation

You can use this parameter to activate or deactivate parallel operation.

9.3.3.2.2 Setting parallel operation method

You can use this parameter to set the parallel operation method. You can select the following options:



Only change the parallel operation method when the on-load tap-changers are not performing tap-change operations.

Option	Description
Master	The device is designated as the master.
Follower	The device is designated as the follower.
Auto. tap sync.	Automatic assignment of master or follower. If a master is not detected, the device with the lowest CAN bus address is automatically designated as the master. All other devices are designated as followers.
Circulating reactive current	Circulating reactive current minimization with CAN bus communication parallel operation method
Power factor	Circulating reactive current minimization without CAN bus communication parallel operation method

Table 41: Setting parallel operation method

9.3.3.2.3 Assigning a CAN bus address

You can use this parameter to assign a CAN bus address to the device. So that all devices can communicate using the CAN bus, each device requires a unique identifier. If the value is set to 0, then no communication takes place.

9.3.3.2.4 Setting circulating reactive current sensitivity

You can use this parameter to set the influence of circulating reactive current on how the control deviation is calculated. The higher the set value, the greater the calculated control deviation as a result of circulating reactive current.

To determine the ideal circulating reactive current sensitivity, note the relevant section in the Commissioning chapter.

9.3.3.2.5 Setting the circulating reactive current blocking limit

You can use this parameter to set the limit value for the maximum permissible circulating reactive current. This value is based on the rated current of the current transformer. If, during parallel operation, the circulating reactive current exceeds the set limit value, the device triggers the *Circulating reactive current blocking limit exceeded* event. All devices operating in the parallel operation group are blocked.

Desired power factor

You can use this parameter to set the power factor, which the transformer has under normal operating conditions. If the measured power factor deviates from the desired one, the device calculates a correction which is added to the control deviation.



Enter a desired power factor other than 0. If you enter a desired power factor of 0, the device is not able to calculate the voltage correction.

Desired load stress type

You can use this parameter to set the load stress type, which the transformer has under normal operating conditions.

You can determine the load stress type using the phase angle difference between voltage and current. You calculate the phase angle difference as follows:

$$\varphi_{UI} = \varphi_U - \varphi_I$$

φ_{UI}	Phase angle difference between voltage and current
φ_U	Phase angle of voltage
φ_I	Phase angle of current

Depending on the calculated phase angle difference, you have to select the following option:

- $\varphi_{UI} > 0$: Inductive
- $\varphi_{UI} < 0$: Capacitive

9.3.3.2.6 Setting master/follower current blocking

You can use this parameter to activate the circulating reactive current blocking limit for the tap synchronization parallel operation method. The device thereby calculates and monitors the circulating reactive current in the same manner as the parallel operation method for circulating reactive current minimization, and provides you with the safety function of circulating reactive current blocking. The Circulating reactive current blocking parameter is used to set the limit value.

9.3.3.2.7 Setting master/follower switching characteristics

You can use this parameter to set the switching characteristics for the tap synchronization parallel operation method. You can select the following options:

- Sequentially: When a tap-change operation takes place, the master communicates its new tap position to the followers via the CAN bus as soon as the master has completed its tap-change operation. The tap-change operations of the master and followers thereby take place one after another (sequentially).
- In sync: When a tap-change operation takes place, the master communicates its new tap position to the followers via the CAN bus as the master starts its tap-change operation. The tap-change operations of the master and followers thereby take place at almost the same time (in synch).

9.3.3.2.8 Setting the maximum tap difference

You can use this parameter to set the maximum permissible tap difference between followers and master on the follower.

If the tap difference is greater than the set maximum tap difference to the master, the follower blocks and no longer attempts to attain the master's tap position. After the set delay time for parallel operation error messages has elapsed, the follower issues the *Permitted tap difference to master exceeded* message.

9.3.3.2.9 Setting error if no communication present

You can use this parameter to set whether it is an error if the device does not receive any messages via the CAN bus or if there are no other CAN bus participants in the same parallel operation group.

9.3.3.2.10 Setting behavior if no communication present

You can use this parameter to set how the voltage regulator behaves if communication via the CAN bus is not possible.

The setting for this parameter is only effective if you have selected the **Error** option for the **Error if no communication present** parameter.

You can select the following options:

Option	Description
Independent regulation	The device switches from parallel operation to normal automatic voltage regulation
Auto blocking	Automatic voltage regulation is blocked.
cosφ interpolation	Continuation of parallel operation with interpolated values (only possible with circulating reactive current parallel operation method)
Power factor	Circulating reactive current minimization without CAN bus communication parallel operation method


Table 42: Behavior if no communication present

9.3.3.2.11 Setting delay time for parallel operation error messages

You can use this parameter to set the delay time for a parallel operation error message so that brief fault messages are not received if the motor-drive units involved in the parallel operation have different runtimes.

9.3.3.3 Parallel operation

In the parallel operation menu, you can display information about the devices that are connected by CAN bus.

	Description
	Parallel operation status: - - = Independent mode - ✓ = Parallel operation is active - △ = Parallel operation error
CAN	CAN bus address
Grp.	Parallel operation group
Method	Active parallel operation method

	Description
Position	Current tap position
U	Voltage
I_p	Active current
I_q	Reactive current
Block.	Blocking: <ul style="list-style-type: none"> - Gray: Parallel operation not blocked - Red: Parallel operation blocked

Table 43: Information about parallel operation

> Go to **Information > Parallel operation**.

9.3.4 U bandwidth monitoring

The following limit values are monitored via bandwidth monitoring. The set bandwidth [► Page 90] (upper/lower) of the voltage regulation is used for this purpose.

Behavior If the measured value is higher than the upper limit or lower than the lower limit, the device triggers the *Upper bandwidth limit value / Lower bandwidth limit value* message.

The "Function monitoring" function is used to detect long periods when values are above or below the bandwidth. Long periods when values are above or below the bandwidth indicate a problem with the device function because the device is not able to correct the control deviation.

If the value is above or below the set bandwidth [► Page 90], the *Function monitoring* event is displayed after the set delay time for function monitoring has elapsed. The event is automatically acknowledged as soon as the measured value is back within the set bandwidth.

The following parameters are available for setting function monitoring:

- Function monitoring
- Hysteresis
- Delay time

> Go to **Settings > Parameter > Voltage regulator > U bandwidth monitoring**.

Function monitoring

You can use this parameter to activate function monitoring. You can select the following options:

Setting	Behavior
Off	Function monitoring is deactivated.
Only Auto	Function monitoring is only active in AVR AUTO operating mode.
Auto and Manual	Function monitoring is active in AVR AUTO and AVR MANUAL operating modes

Table 44: Activate function monitoring

Hysteresis

You can use this parameter to set the hysteresis. You can use this to avoid the unnecessary generation of messages if the measured value fluctuates around a threshold value.

Delay time

You can use this parameter to set the delay time in order to delay the issuing of the event message.

9.4 On-load tap-changer

9.4.1 Tap position monitoring

You can set the limit value parameter for tap position monitoring:

> Go to **Settings** > **Parameter** > **Voltage regulation** > **Tap position monitoring**.

Delay time

You can use this parameter to set the delay time in order to delay the issuing of the event message.

Behavior limit value

You can use this parameter to set the behavior of the device when the event message is issued. You can select the following options:

Setting	Behavior
Off	Tap position monitoring is disabled.
Auto blocking position+	The automatic control does not perform a tap-change operation in the direction of a higher tap position (position+). You can still perform a tap-change operation in the direction of a higher tap position (position+) in manual mode.
Auto blocking position-	The automatic control does not perform a tap-change operation in the direction of a lower tap position (position-). You can still perform a tap-change operation in the direction of a lower tap position (position-) in manual mode.
Auto/manual blocking position+	The automatic control does not perform a tap-change operation in the direction of a higher tap position (position+). You cannot perform a tap-change operation in the direction of a higher tap position (position+) in manual mode.
Auto/manual blocking position-	The automatic control does not perform a tap-change operation in the direction of a lower tap position (position-). You cannot perform a tap-change operation in the direction of a lower tap position (position-) in manual mode.

Also refer to

 Target-tap-position operation [▶ 106]

Operations counter

The device's operations counter is automatically increased with every tap-change operation. You can use this parameter to set the number of tap-change operations, such as for a comparison with the operations counter of the motor-drive unit.

9.4.2 Tap position capture method

The current tap position of the on-load tap-changer is transmitted from the motor-drive unit to the device. You can use this parameter to select the type of tap position capture.



In order to ensure proper function of the tap position capture, make sure that the inputs of the corresponding tap position capture method are activated and correctly wired.

- › Go to **Settings > Parameter > On-load tap-changer > Tap position monitoring > Tap position monitoring**.

The tap position is transmitted in one of the following ways:

9.4.2.1 Digital tap position capture

The tap position can be transmitted as a digital signal from the motor-drive unit to the device. The following variants are available:

- BCD
- Dual code
- Gray code
- N/O contact series

9.4.2.2 Analog tap position capture

The tap position can be transmitted as an analog signal from the motor-drive unit to the device. The following variants are available:

9.4.2.2.1 Injected current (0/4...20 mA)

For the analog tap position capture, you must set which tap positions correspond to the minimum analog signal and maximum analog signal.

Pos. at max. analog signal

You can use this parameter to set the tap position of the on-load tap-changer corresponding to the maximum analog signal (e.g. 20 mA for 4...20 mA signal).

1. Go to **Settings > Analog tap position capture > Pos. at max. analog signal**.
2. Set the tap position.
3. Press the **Accept** button to save the modified parameter.

Pos. at min. analog signal

You can use this parameter to set the tap position of the on-load tap-changer corresponding to the minimum analog signal (e.g. 4 mA for 4...20 mA signal).

1. Go to **Settings > Analog tap position capture > Pos. at min. analog signal**.
2. Set the tap position.
3. Press the **Accept** button to save the modified parameter.

9.4.2.2.2 Resistor contact series



Carry out the calibration at an ambient temperature that corresponds to normal operating conditions. This allows you to reduce measurement errors due to temperature fluctuations.

To capture the tap positions via resistor contact series, you need to perform a calibration. In order to do this, you have to set the on-load tap-changer's tap positions corresponding to the maximum and minimum analog signal. Then you have to carry out on-load tap-change operations across the entire tap position range. The entire calibration process is performed using wizards.

1. Go to **Settings > Calibrate hardware > Calibrate RCS**.
2. Select the **Pos. at max. analog signal** parameter.
3. Set the tap position.
4. Press the **Accept** button to save the modified parameter.
5. Select the **Pos. at min. analog signal** parameter.
6. Set the tap position.
7. Press the **Accept** button to save the modified parameter.
8. Click on the **Start** button.
 - » The calibration wizard is started.
9. Press the **Next** button.
10. Step 1: Manually switch on-load tap-changer to the highest tap position.

11. Press the **Next** button.
 - » Step 2: The device calibrates the current output and once complete moves on to step 3.
12. Step 3: Manually switch the on-load tap-changer to the lowest tap position.
 - » Step 4: The device determines the offset and once complete moves on to step 5.
13. Step 5: Press the **Next** button to complete calibration.
 - » Calibration of tap position capture using the resistor contact series has been performed successfully.

Setting the tap position message

If you change the tap position capture, you must then ensure that the configured analog output value range matches the value of the parameter AIO configuration [► Section 9.1.8, Page 62]. Otherwise, the tap position will not be reported correctly.

9.4.3 Target-tap-position operation

When target-tap-position operation is activated, the device automatically switches to this target tap position.

- > Go to **Settings > Parameter > On-load tap-changer > Move to the defined target tap position.**

Target tap position

You can use this parameter to define a target tap position.

Target-tap-position operation allowed

You can use this parameter to set in which operating mode the Target-tap-position operation function is allowed or blocked.

Option	Behavior with the operating mode			
	AVR Auto		AVR Manual	
	Local	Remote	Local	Remote
AVR Auto	Allowed	Allowed	Blocked	Blocked
AVR Manual	Blocked	Blocked	Blocked	Allowed
AVR Auto + Manual	Allowed	Allowed	Blocked	Allowed

Table 45: Behavior of the Target-tap-position operation function depending on the selected option and the operating mode of the device

9.4.4 Information about the on-load tap-changer

Under "OLTC" you can display information about the on-load tap-changer:

- Current tap position
 - Total tap-change operations (operations counter)
- > Go to **Information > On-load tap-changer > OLTC.**

9.5 Motor-drive unit and control cabinet

9.5.1 Control of the motor-drive unit



9.5.1.1 Setting the switching pulse for controlling the motor-drive unit

You can use the parameters Switching pulse type, Switching pulse time and Switching pulse pause to adapt the device switching pulse to the requirements of the motor-drive unit controller.

> Go to **Settings > Parameter > Motor and control cabinet > Motor control unit**.

Switching pulse type

You can use this parameter to toggle the switching pulse between a continuous pulse or a time-controlled switching pulse.

Continuous pulse Selecting the "Continuous pulse" option causes the device to issue the switching pulse in AVR Auto operating mode until the measured value is back within the bandwidth. In AVR Manual operating mode, the device issues the switching pulse for as long as you press the  or  key.

If the device is operated as a follower in parallel operation in this case, then the voltage regulator will issue the switching pulse until one of the following requirements has been met:

- The set motor runtime has been reached
- The *Motor running* signal switches from state 1 to 0
- The tap position required by the master has been reached

A pause is enforced after every switching pulse before another switching pulse is issued.

Time-controlled switching pulse Selecting the "Time-controlled switching pulse" option causes the device to issue the switching pulse for a set duration. A pause **1** is enforced after every switching pulse **2** before another switching pulse is issued.

- If you use a motor-drive unit from Maschinenfabrik Reinhausen GmbH, you need to select the "Time-controlled switching pulse" option.

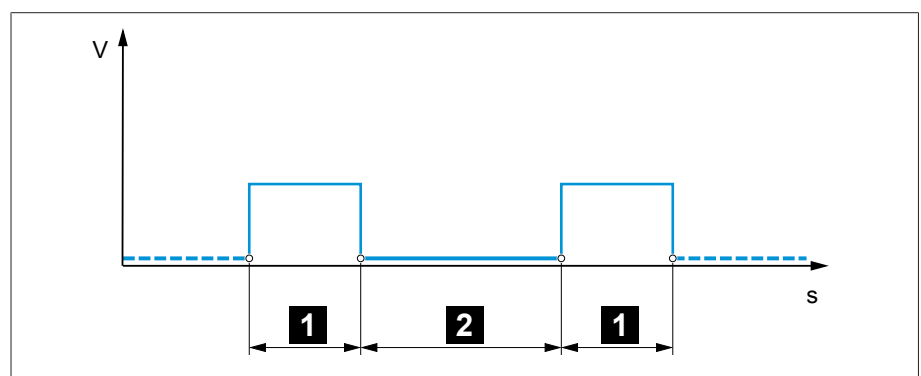


Figure 67: Switching pulse time and switching pulse pause

1	Switching pulse time	2	Switching pulse pause
---	----------------------	---	-----------------------

Switching pulse time

You can use this parameter to set the maximum duration of the switching pulse. The switching pulse resets after the switching pulse time has elapsed or if the device receives the *Motor running* signal beforehand or the tap position is changed.

Switching pulse pause

You can use this parameter to set the switching pulse pause between 2 switching pulses. The device can only issue another switching pulse once the switching pulse pause has elapsed.

9.5.1.2 Setting motor runtime monitoring

The runtime of the motor-drive unit can be monitored by the device. This function is used to identify motor-drive unit malfunctions during the tap-change operation and to trigger any actions needed.

Behavior The motor-drive unit issues the *Motor-drive unit running* signal during the tap-change operation. This signal is present until the tap-change operation is complete. The device compares the duration of this signal with the set motor runtime. If the set motor runtime is exceeded, the device triggers the following actions:

1. *Motor runtime exceeded* event.
2. Pulse signal via *Trigger motor protective switch* output relay



Note that motor-drive units with pass-through positions or motor-drive units without stepped switching behavior will run for longer under certain circumstances. Set a longer motor runtime for such units.

- > Go to **Settings** > **Parameter** > **Motor and control cabinet** > **Motor control unit**.

Motor runtime monitoring limit

This parameter lets you set the motor runtime monitoring limit.

Motor runtime monitoring

You can use this parameter to activate or deactivate motor runtime monitoring.

9.5.1.3 Setting the switching direction

You can set the switching direction of the motor-drive unit.

- > Go to **Settings** > **Parameter** > **Motor and control cabinet** > **Motor control unit**.

Switching direction monitoring

You can use this parameter to set the switching direction monitoring. This function monitors whether a tap-change operation in the wrong direction has been undertaken (e.g. due to a wiring mistake).

If a tap-change operation in the wrong direction is detected, the device issues the event message *Switching direction monitoring* and blocks automatic regulation. Automatic regulation is blocked until you acknowledge the event.



Switching direction monitoring is not active if you control the motor-drive unit with a continuous pulse [► Section 9.5.1.1, Page 107].

Also refer to

- Setting the switching pulse for controlling the motor-drive unit [► 107]

U switching direction

You can use this parameter to set the switching direction for voltage regulation. You can use this to adjust the behavior of the device based on how your on-load tap-changer and motor-drive unit are configured. You can select the following options:

Setting	Meaning
Standard	The device issues a signal via the <i>Raise</i> output to increase the voltage. The device issues a signal via the <i>Lower</i> output to reduce the voltage.
Swapped	The device issues a signal via the <i>Lower</i> output to increase the voltage. The device issues a signal via the <i>Raise</i> output to reduce the voltage.

Table 46: Behavior

10 Maintenance and care

10.1 Cleaning the device

You can clean the device with a dry cloth.

10.2 Updating application software

NOTICE

Damage to the device due to incompatible wiring and configuration.

If the configuration of the device inputs and outputs is changed as a result of updating the application software, the device can become damaged due to incompatible wiring.

- › Before updating the device application software, wire it according to the connection diagram provided with the device.

If you want to update the application software using web-based visualization on a PC, proceed as follows:

1. Copy the application software to the PC [▶ Section 10.2.1, Page 110].
2. Establish a connection to the visualization [▶ Section 10.2.2, Page 111].
3. Update the application software [▶ Section 10.2.3, Page 112].

10.2.1 Copy the application software to the PC



Prior to downloading, check which software version is currently installed on your device (go to **Information > System > Software**). Then download the update package for your software version as described in the following.

You can download the latest version of the application software from the Maschinenfabrik Reinhausen GmbH customer portal. To do so, proceed as follows:

1. Call up the website www.reinhausen.com.
2. Press the **Customer Portal** button.
3. Log in with your login data or register.
4. In the **Transformer** section at the **My Devices** tile, press the **Open** button.
5. If the desired device does not appear in the list, press the **Add device** button and enter the device data (serial number, name, location, etc.).
6. Select the desired device in the list.
7. Select the device in the **Firmware** tab and select the **Create firmware** button in the **MR Versions** entry for the desired version. If the firmware cannot be generated automatically, you will see the **Request** button, which you can use to send a request to Maschinenfabrik Reinhausen GmbH.
 - » The firmware is generated. You will receive an email when the firmware is available for download.
8. Press the **Download** button to save the firmware to the PC.
9. Press the **...** button to display the hash value for verifying the download.
10. Calculate the hash value of the downloaded zip file on your PC and compare it with the hash value displayed in the customer portal. If both values are identical, the file was downloaded correctly.



Depending on your operating system, you can calculate the hash value of the file in different ways. If you run your PC with Windows 10, you can calculate the hash value in the command line with the following command:
`certutil -hashfile <filename>.zip sha256`

- 11. Unzip the zip file on your PC.
 - » The application software has been downloaded correctly.

10.2.2 Establishing connection to visualization

A connection to the visualization can be established using two interfaces:

- Front interface (for local access)
- Optional: Interface X3 on the rear of the device (for access via remote display, control center etc.)

System requirements

To access the web-based visualization, you need a PC with an HTML5-capable browser. The display is optimized for the following browsers:

- Microsoft Edge
- Google Chrome™

Establishing a connection via front interface

- 1. Remove the interface cover on the front of the device.
- 2. Connect the COM-X2 to the CPU-X3 using the supplied patch cable.

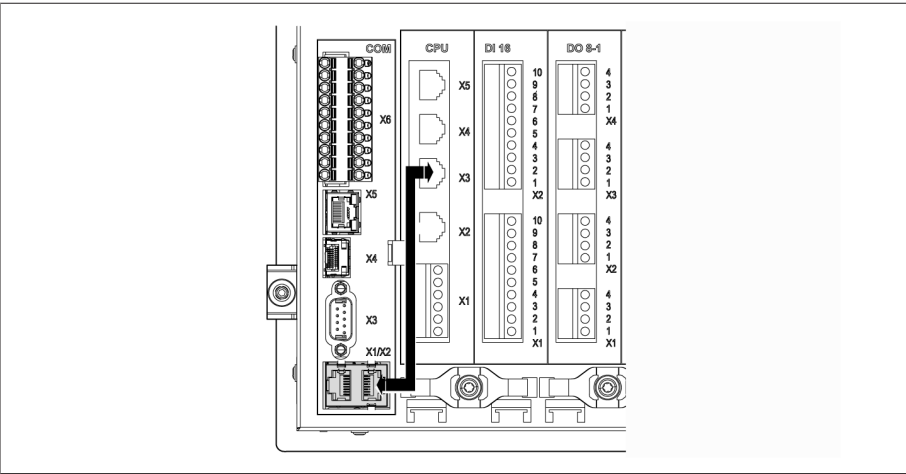


Figure 68: Patch cable on the rear

- 3. Connect the PC and the device via the front interface using an Ethernet cable (RJ45 plug).

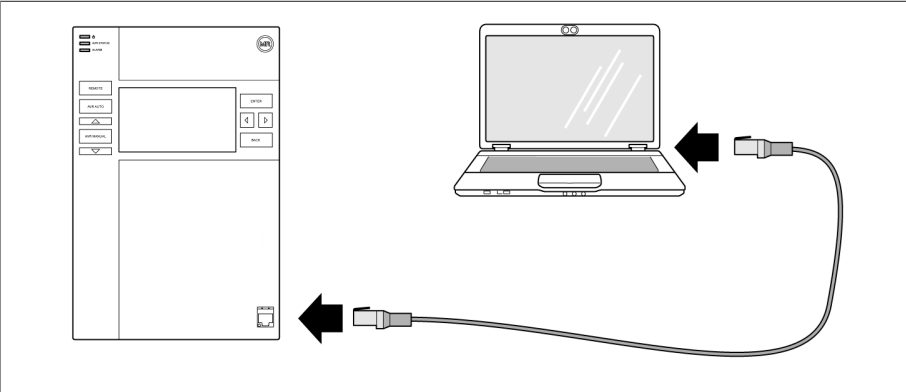


Figure 69: Establishing a connection via the front interface

4. Assign a unique IP address to the PC in the same subnet as the device (e.g. 192.168.165.100).
5. Enter the visualization's IP address `http://192.168.165.1`, or if SSL encryption is active, enter `https://192.168.165.1` in the browser on the PC.
 - » The visualization is accessed.

Establishing a connection via the rear CPU-X3 interface

1. Connect the PC and device via the rear CPU-X3 interface using the pre-assembled patch cable.
2. Go to **Communication** on the device to display the device's IP address.
3. Assign a unique IP address to the PC in the same subnet as the device (e.g. 192.0.1.100).
4. Enter the visualization's IP address (e.g. `http://192.0.1.230`; if SSL encryption is active enter `https://192.0.1.230`) in the browser on the PC.
 - » The visualization is accessed.

10.2.3 Updating application software

NOTICE

Damage to the file system!

The file system can become damaged due to an incorrect data transmission process. A damaged file system can lead to the device no longer being functional.

- > Do not disconnect the device from the power supply during the import.

When in delivery status, you can log in as the administrator as follows:

- User name: admin
- Password: admin

To load the application software, proceed as follows:

1. Press the **LOGIN** button and log in as a user with a parameter configurator or administrator user role.
2. Go to **Information > Software** and take note of the application software version.
3. Go to **Settings > Export > System image** to export a backup copy of the current system.
4. Select the option **With history** and press the **Start export** button to start the export.
5. Go to **Settings > Import**.
6. Press the **Browse** button, select the application software (rhp file) to be imported and then press the **Start upload** button.
 - » The file is checked.
7. Select the options **Retain historical data**, **Retain user settings** and **Retain device settings**.
8. Press the **Start update** button to start the import.
 - » The application software is updated.
9. Press the **OK** button to restart the device following a successful update.
10. Go to **Information > Software** and compare the application software version with the version noted down. The version number must be higher.

10.3 Function extension (upgrade)

If you use a TAPCON® 230 Pro, you can extend the functional scope of the device through a software upgrade to the functional scope of the TAPCON® 230 Expert. To do so, you must purchase a software upgrade from Maschinenfabrik Reinhausen GmbH.

If you have purchased a software upgrade for your device, you can import [▶ Section 10.2, Page 110] the new software to the device.

11 Fault elimination

11.1 General faults

Characteristics/details	Cause	Remedy
No function – <i>Power supply</i> LED does not light up	No power supply.	Check the power supply.
	Fuse tripped.	Contact Maschinenfabrik Reinhausen GmbH.
No function – <i>AVR STATUS</i> LED does not light up	Configuration error	Contact Maschinenfabrik Reinhausen GmbH.
Relay chatter	High EMC load.	Use shielded cables or external filters.
	Poor grounding.	Check the functional ground.

Table 47: General faults

11.2 No regulation in AUTO mode

Characteristics/details	Cause	Remedy
Device control commands have no effect.	Local/Remote switch in motor-drive unit switched to LOCAL.	Check operating mode. Correct if necessary.
	No connection	Check wiring as per connection diagram.
Automatic voltage regulation is blocked. – <i>ALARM</i> LED lights up in accordance with event configuration and a corresponding event is active.	Limit value with auto blocking or auto/manual blocking behavior has been exceeded.	Check parameters. Correct if necessary.
	The switching direction monitoring has recorded a malfunction and triggered the associated event.	Check cause of event and then acknowledge event.
	The motor protective switch has triggered. Motor protective switch event active.	Check what caused the motor protective switch to trigger and engage motor protective switch if necessary.
Automatic voltage regulation is blocked.	Signal at "Block automatic voltage regulation" input.	Check signal source.
	Target-tap-position operation active	Check configuration of target-tap-position operation function. If necessary, remedy cause.
	"Blocking" function is linked to a digital input or control system message.	Check signal source or control system. If necessary, reset.
Automatic voltage regulation is blocked. – Measured voltage too low (< 30 V)	Voltage measurement incorrect	Check voltage measurement.
Bandwidth set too high	-	Determine the recommended bandwidth.

Characteristics/details	Cause	Remedy
Parallel operation active.	Device is follower in parallel operation.	No error. If necessary, deactivate parallel operation.
CAN bus communication failure	"Auto blocking" behavior is set.	Check configuration.

Table 48: No regulation in AUTO mode

11.3 Unwanted on-load tap-change operation

Characteristics/detail	Cause	Remedy
Compensation activated	Setting: <ul style="list-style-type: none"> - R-X compensation - Z compensation 	Check parameters. Correct if necessary.

Table 49: Unexplained tap change

11.4 Human-machine interface

Characteristics/details	Cause	Remedy
Display <ul style="list-style-type: none"> - No display. 	Power supply interrupted.	Check the power supply.
	Fuse faulty.	Contact Maschinenfabrik Reinhausen.
Connection cannot be established with visualization	Connection cable defective.	Check connection cable.
	SSL encryption active.	Accept SSL certificate in browser.
		Call up IP address using <code>https://</code> .
		Deactivate SSL encryption.
	PC not in same subnet as visualization.	Check the setting of IP addresses of the device and PC and correct if necessary.
Incorrect display of visualization in the web browser.	Access to the visualization using a web browser after a software update.	Delete the web browser's cache.

Table 50: Human-machine interface

11.5 Incorrect measured values

Characteristics/details	Cause	Remedy
Measured voltage <ul style="list-style-type: none"> - No measured value available. 	Connection has no contact in the plug terminal.	Check the wiring and plug terminal.
	Insulation trapped.	
	Wire is not inserted far enough.	
	Miniature circuit breaker has tripped.	Check the fuse.
Measured voltage <ul style="list-style-type: none"> - Measured value too low 	Voltage drop on the measuring line.	Check the measured voltage.

Characteristics/details	Cause	Remedy
Measured voltage – Measured value fluctuates	Possible sources of interference: – Cables laid in parallel. – Tap-change operations.	Check the measured voltage.
		Increase the distance from the source of interference.
		Install a filter if necessary.
Measured current – No measured value	Line to the current transformer interrupted.	Check wiring.
	Short-circuiting jumper in current transformer is not removed.	Remove the short-circuiting jumper.
Measured current – Measured value too high – Measured value too low	Current transformer not correctly parameterized.	Correct parameterization.

Table 51: Incorrect measured values

11.6 Parallel operation faults

Characteristics/details	Cause	Remedy
Problem with CAN bus. – Device not listed.	Device incorrectly connected.	Check connections. Connect as shown in connection diagram.
	Devices have the same CAN bus addresses.	Set different CAN bus addresses.
	CAN bus address of device set to "0".	Set CAN bus address (anything but 0).
Problem with parallel operation.	Different parallel operation methods set for devices in the parallel operation group.	Check configuration.
Problem with master/follower parallel operation method.	More than 1 device is configured as master in the parallel operation group.	Check configuration.
	No device configured as master in the parallel operation group.	Check configuration.
	Invalid tap position of master or follower.	Check tap position. Check wiring. Connect as shown in connection diagram.
Problem with master/follower parallel operation method: – Master/follower switching characteristics is "in synch".	Master and followers have different tap positions.	Check tap position capture or check why the tap-change operation has not been undertaken (e.g. mechanical defect), then perform one of the following steps: – Manually correct the master's tap position. – Restart master. – Set master/follower switching characteristics to "sequential". – Change master device to follower and define a different device as the master.

Characteristics/details	Cause	Remedy
Problem with circulating reactive current minimization parallel operation method.	Circulating reactive current cannot be calculated.	Check wiring. Connect as shown in connection diagram.
	Circulating reactive current blocking limit exceeded.	Check configuration.

Table 52: Parallel operation faults

11.7 Tap position capture incorrect

Characteristics/details	Cause	Remedy
Position indicator incorrect. – Leading sign incorrect.	Incorrect wiring.	Check wiring. Connect as shown in the connection diagram.
	Minimum value of the analog input signal not configured correctly.	Check parameters.
Position indicator incorrect. – Display fluctuates.	Interference.	Shield the line.
		Increase the distance from the source of interference. Lay interference lines separately.
		Route the signal in separate lines (filter, shielded lines).
No position indicator. – "- -" is displayed.	No measurement signal. No L- for digital input.	Connect the signal as shown in the connection diagram.
		Check wiring. Connect as shown in the connection diagram.
Tap position capture over resistor contact series faulty.	Faulty calibration.	Calibrate the tap position capture over resistor contact series.
	Modified contact resistance values of the resistor contact series (e.g. due to weather or age).	Calibrate the tap position capture over resistor contact series.

Table 53: Tap position capture

11.8 Other faults

If you cannot resolve a problem, please contact Maschinenfabrik Reinhausen. Please have the following data ready:

- Serial number
- Nameplate
- Software version [► Section 9.1.14, Page 70]

Please provide answers to the following questions:

- Has the software been updated?
- Has there previously been a problem with this device?
- Have you previously contacted Maschinenfabrik Reinhausen about this issue? If yes, then who was the contact?

Technical Service

Maschinenfabrik Reinhausen GmbH

Technical Service

Postfach 12 03 60

93025 Regensburg

Germany

Phone: +49 94140 90-0

Email: service@reinhausen.com

Internet: www.reinhausen.com

You will find an overview of the services available for the product in the customer portal: <https://portal.reinhausen.com>

12 Disposal

Observe the national requirements applicable in the country of use.

13 Technical data

13.1 Display elements

Display	5" TFT colour display
LEDs	3 LEDs for operation display and messages - POWER, AVR STATUS, ALARM - RAISE, LOWER, AUTO, MANUAL, REMOTE

13.2 Materials

TAPCON® 230	
Front	Aluminum, plastic
Tray/rear	Stainless steel
Housing (optional)	Plastic

13.3 Dimensions

TAPCON® 230 W x H x D	218 mm x 324 mm x 130 mm (8.58 in x 12.76 in x 5.12 in) (without mating connector) Mating connector 20 mm (0.79 in)
TAPCON® 230 with housing (optional) W x H x D	Overall: 500 mm x 500 mm x 300 mm (19.69 in x 19.69 in x 11.81 in) Height with wall bracket: 521.3 mm (20.52 in)

13.4 Power supply

Permissible voltage range	85 to 265 V AC / V DC U _N : 100...240 V AC U _N : 100...240 V DC
Max. nominal power consumption	25 W
Permissible frequency range	50/60 Hz
Overvoltage category	OC III
Surge test voltage	5 kV, 1.2 µs/50 µs (IEC 60255-27)
Internal fuse	250 V AC, 1.25 A, 5 x 20 mm, T characteristic (slow acting), breaking capacity H (min. 1,500 A), operating temperature -30°C... +100°C)

Table 54: Power supply

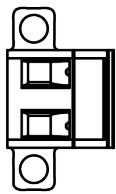
Interface	Pin	Description
	2	L
	1	N

Table 55: Connection X9

Auxiliary power supply AUX DC DI 110 V DC for digital inputs



The auxiliary power supply is used exclusively for the acquisition of up to 16 floating contacts.

Output voltage	U_N : 110 V DC \pm 2% (short-circuit proof)
Max. output power	5 W
Overvoltage category	OC III
Surge test voltage	5 kV, 1.2 μ s/50 μ s (IEC 60255-27)
Fuse	250 V AC, 0.08 A, 5 x 20 mm, TT characteristic (very slow acting), breaking capacity L (min. 35 A), operating temperature -30°C... +85°C

Table 56: Auxiliary power supply

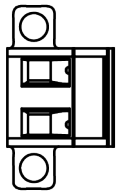
Interface	Pin	Description
	2	L
	1	N

Table 57: Connection X8

13.5 Voltage measurement and current measurement

Voltage measurement

Measuring range	20...197 V AC
Nominal voltage U_N	100 V AC
Accuracy	$< \pm 0.3\% \times U_N$ in the operating temperature range
Measurement category (IEC 61010-2-30)	CAT III at an altitude of 3,000 m
Continuous overvoltage	550 V AC
Surge test voltage	5 kV, 1.2 μ s / 50 μ s (IEC 60255-27)

Current measurement

Frequency	45...65 Hz
Nominal current I_N	1 A or 5 A (switchable)
Accuracy	$< \pm 0.5\% \times I_N$ in the operating temperature range
Load resistance	$< 0.1 \text{ VA}$
Overload capability continuous	20 A (IEC 60255-27)
Overload capacity short-term	500 A / 1 s
Surge test voltage	5 kV, 1.2 μs / 50 μs (IEC 60255-27)

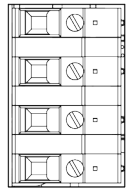
Interface	Pin	Description	
	4	N	VT (U_N : 100/230/400 V AC)
	3	L	VT
	2	I	CT
	1	k	CT

Table 58: Connection UI:X7

13.6 Central processing unit

Processor	ARM Cortex A9 processor 800 MHz
RAM	512 MB
NVRAM (SRAM with battery backup)	256 kB
Application memory	2 GB
Digital relay outputs	2; galvanically isolated
Nominal voltage	DC 24/48/60 V
Max. continuous current	1 A (ohmic load)
Max. switching capacity	30 W
Rated impulse voltage	2.0 kV

Response behavior of the watchdog/error relay:

	Error relay	Watchdog relay
Power off	OFF	OFF
Startup	ON	OFF
Ready (no error pending)	OFF	ON
Ready (pending error)	ON	ON

ON: Relay is energized

OFF: Relay is de-energized

Interfaces

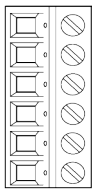
Interface	Pin	Description
	6	ER_NO
	5	ER_NC
	4	ER_COM
	3	WD_NO
	2	WD_NC
	1	WD_COM

Table 59: Plug terminal CPU:X1

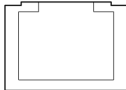
Interface X2, X3	Pin	Description
	8	NC
	7	NC
	6	RXD-
	5	NC
	4	NC
	3	RXD+
	2	TXD-
	1	TXD+

Table 60: Ethernet interface CPU:X2/X3

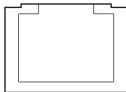
Interface X4	Pin	Description
	8	NC
	7	NC
	6	GND
	5	NC
	4	NC
	3	NC
	2	TXD+/RXD+
	1	TXD-/RXD-

Table 61: Serial interface RS485 CPU:X4

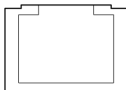
Interface X5	Pin	Description
	8	DTR (O)
	7	DCD (I)
	6	GND
	5	RXD (I)
	4	TXD (O)
	3	VCC/OUT 5 V/12 V
	2	RTS (O)
	1	CTS (I)

Table 62: Serial interface RS232 CPU:X5

13.7 Digital inputs

	DI 16-110 V	DI 16-220 V
Inputs (plug-based electrical isolation)	2 x 8	
Nominal voltage	110 V DC	220 V DC
Max. operating voltage	143 V DC	253 V DC 253 V AC
Logical 0	≤ 55 V DC	≤ 110 V
Logical 1	≥ 82.5 V DC	≥ 165 V
Input current	0.9 mA	0.6 mA
Simultaneity factor (at 65 °C ambient temperature)	Max. 13 inputs	

Table 63: DI 16-110 V and DI 16-220 V technical data

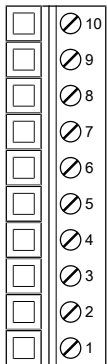
Interface	Pin	Description
	10	Common reference (common)
	9	Common reference (common)
	8	Input 7
	7	Input 6
	6	Input 5
	5	Input 4
	4	Input 3
	3	Input 2
	2	Input 1
	1	Input 0

Table 64: Connector X1 (group 0)

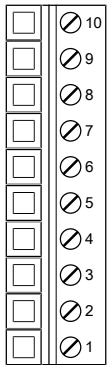
Interface	Pin	Description
	10	Common reference (common)
	9	Common reference (common)
	8	Input 17
	7	Input 16
	6	Input 15
	5	Input 14
	4	Input 13
	3	Input 12
	2	Input 11
	1	Input 10

Table 65: Connector X2 (group 1)

13.8 Digital outputs

DO 8	
Outputs (plug-based electrical isolation)	8 relays 4 groups per module
Switching voltage	DC: 24 V, 48 V, 60 V, 110 V, 220 V AC: 110 V, 230 V
Contact load capacity	Min.: 5 V DC, 10 mA Max. DC: See diagram Max. AC: 250 V; 3 A (8 active outputs) or 5 A (4 active outputs)

Table 66: DO 8 assembly technical data

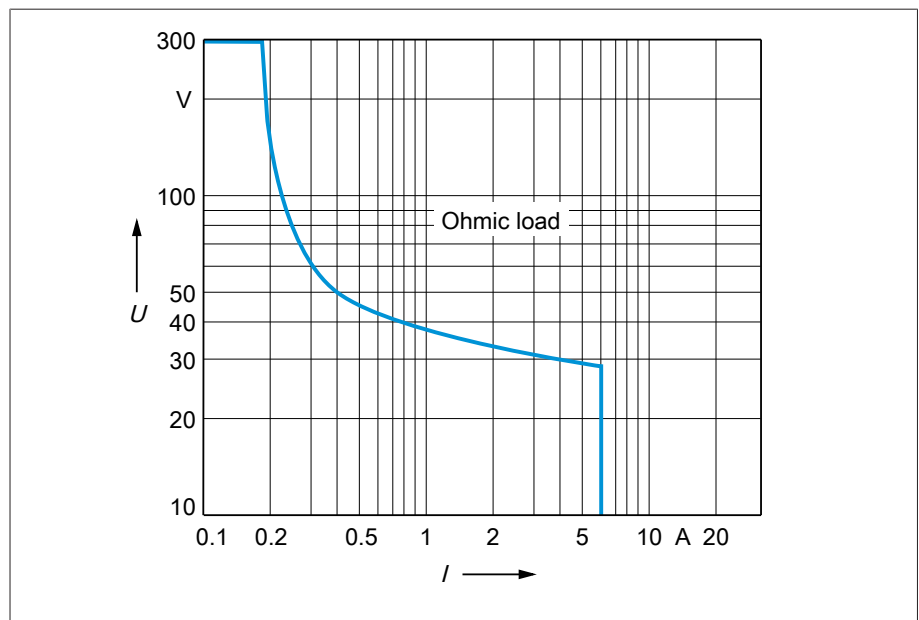


Figure 70: Contact load capacity of digital outputs with resistive load

CAUTION



Electric shock!

The outputs of the DO assembly have plug-based electrical isolation. A mixture of voltage ranges (e.g. extra low voltage and low voltage) or various phases within a plug can lower the protection against electric shock.

- > Use the same voltage ranges within a plug.
- > Use the same phase within a plug.

Interface	Pin	Description
	4	Common reference (common) output 1
	3	Common reference (common) output 0
	2	Output 1
	1	Output 0

Table 67: Connector X1 (group 0)

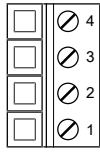
Interface	Pin	Description
	4	Common reference (common) output 3
	3	Common reference (common) output 2
	2	Output 3
	1	Output 2

Table 68: Connector X2 (group 1)

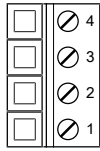
Interface	Pin	Description
	4	Common reference (common) output 5
	3	Common reference (common) output 4
	2	Output 5
	1	Output 4

Table 69: Connector X3 (group 2)

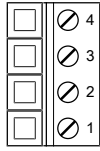
Interface	Pin	Description
	4	Common reference (common) output 7
	3	Common reference (common) output 6
	2	Output 7
	1	Output 6

Table 70: Connector X4 (group 3)

13.9 Analog inputs

	AI 4
Inputs (electrically isolated)	4 x 1
Measuring range	0...20 mA, overcurrent approx. 20% 0...10 V, overvoltage approx. 30%
Accuracy	0.15% at 25 °C Current 0.2% at 0...50 °C 0.3% at -20...70 °C 0.4% at -40...70 °C Voltage 0.4% at 0...50 °C 0.5% at -20...70 °C 0.6% at -40...70 °C
Input impedance	52 Ω at 0...20 mA 20.5 kΩ at 0...10 V

Table 71: AI 4 assembly technical data

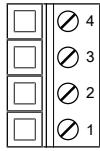
Interface	Pin	Description
	4	V0 U- voltage input
	3	V0 I- current input
	2	V0 I+ current output
	1	V0 U+ voltage output

Table 72: Connector X1 (group 0)

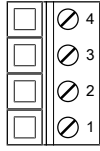
Interface	Pin	Description
	4	V1 U- voltage input
	3	V1 I- current input
	2	V1 I+ current output
	1	V1 U+ voltage output

Table 73: Connector X2 (group 1)

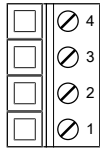
Interface	Pin	Description
	4	V2 U- voltage input
	3	V2 I- current input
	2	V2 I+ current output
	1	V2 U+ voltage output

Table 74: Connector X3 (group 2)

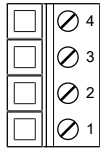
Interface	Pin	Description
	4	V3 U- voltage input
	3	V3 I- current input
	2	V3 I+ current output
	1	V3 U+ voltage output

Table 75: Connector X4 (group 3)

13.10 Communication interfaces

Description	Assembly for converting interfaces and media
Interfaces	1x RS232/RS485 (RJ45): COM X1 2x Ethernet (RJ45): COM X2, COM X5 1x RS232 (D-SUB): COM X3 1x duplex LC (SFP): COM X4 1x plug terminal 10-pin: COM X6
COM X1	Internal system interface for connecting the COM X6 interface to the central processing unit (CPU)
COM X2	Internal system interface for connection the front interface to the central processing unit (CPU)

COM X3	No function
COM X4	No function
COM X5	No function
COM X6	10-pin plug terminal <ul style="list-style-type: none"> - Tap position capture via resistor contact series - CAN bus - Electrically isolated

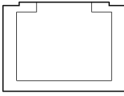
Interface	Pin	Description
	1	CTS (I) (RS232); TXD-/RXD- (RS485)
	2	RTS (O) (RS232); TXD+/RXD+ (RS485)
	3	VCC/OUT 5 V/12 V (RS232)
	4	TXD (O) (RS232)
	5	RXD (I) (RS232)
	6	GND
	7	DCD (I) (RS232)
	8	DTR (O) (RS232)

Table 76: COM X1 (RS232/RS485)

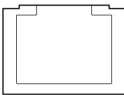
Interface	Pin	Description
	1	TxD+
	2	TxD-
	3	RxD+
	4	NC
	5	NC
	6	RxD-
	7	NC
	8	NC

Table 77: COM X2, COM X5 (RJ45)

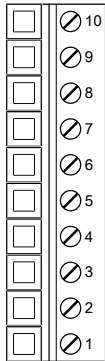
Interface	Pin	Description
	1	GND (resistor contact series)
	2	I out (resistor contact series)
	3	U+ in (resistor contact series)
	4	U- in (resistor contact series)
	5	Data- (RS485)
	6	GND (RS485)
	7	Data+ (RS485)
	8	CAN L (CAN bus)
	9	CAN GND (CAN bus)
	10	CAN H (CAN bus)

Table 78: COM X6

13.11 Tap position capture / resistor contact series

Electrical isolation	Test voltage power-frequency withstand voltage: 500 V _{eff} ; 50 Hz; 1 min
Tap position capture	35 tap positions, 2,000 ohms

13.12 Ambient conditions

Operating temperature	-25...+70 °C
Storage temperature	-30...+85°C (with battery)
Relative humidity	5...95%, non-condensing
Contamination level	2
Protection class	I
Degree of protection	Front: IP54 Rear: IP20 With optional housing: IP56
Maximum installation altitude	3000 m above mean sea level
Minimum clearance to other devices / control cabinet	Above/below: 88.9 mm (3.5 in; equivalent to 2 RU), behind 30 mm (1.2 in)

Table 79: Permissible ambient conditions

13.13 Standards and directives

Electromagnetic compatibility	IEC 61000-6-2, IEC 61000-6-4, IEC 61000-6-5 EN 60255-26 KN 61000-6-2, KN 61000-6-4 FCC 47 CFR Part 15 B ICES-003
Electrical safety	IEC 61010-1 IEC 61010-2-201 IEC 61010-2-030 EN 61010-1 UL 61010-1 CAN/CSA-C22.2 No. 61010-1
Measurement relays and protective devices	IEC 60255-1:2009 Section 6.10.1, 6.10.2 and 6.10.4 IEC 60255-27:2013 Section 10.6.4.2, 10.6.4.3, 10.6.4.4 and 10.6.5.3
Climatic ambient conditions	IEC 60068-2-1 (-25°C; 96 h) cold IEC 60068-2-2 (+70°C; 96 h) dry heat IEC 60068-2-78 (+40°C / 93% rH, 96 h) moist heat, constant IEC 60068-2-30 (+55°C, 6 cycles 12 + 12 hours) moist heat, cyclical

Degree of protection test	IEC 60529
Environmental durability tests	IEC 60255-21-1 vibrations class 1 (3 cycles, 0.5g acceleration, 1 octave/min or 60 cycles, 1.0g acceleration, 1 octave/min)
	IEC 60255-21-2 shock class 1 (duration 11 ms, 5g or 15g acceleration, number of axes 3)
	IEC 60255-21-3 seismic class 1 (frequency 1–35 Hz, 3.5 mm/1g acceleration horizontal, 1.5 mm/0.5g acceleration vertical, 1 octave/min, duration 10 min/axis)
	IEC 60068-2-6 Vibration sinusoidal
	IEC 60068-2-27 shock

Table 80: Standards and directives

13.14 Connection diagrams

Also refer to

- 📄 TAPCON® 230 Pro (DI 16-110 V) [▶ 132]
- 📄 TAPCON® 230 Pro (DI 16-220 V) [▶ 135]

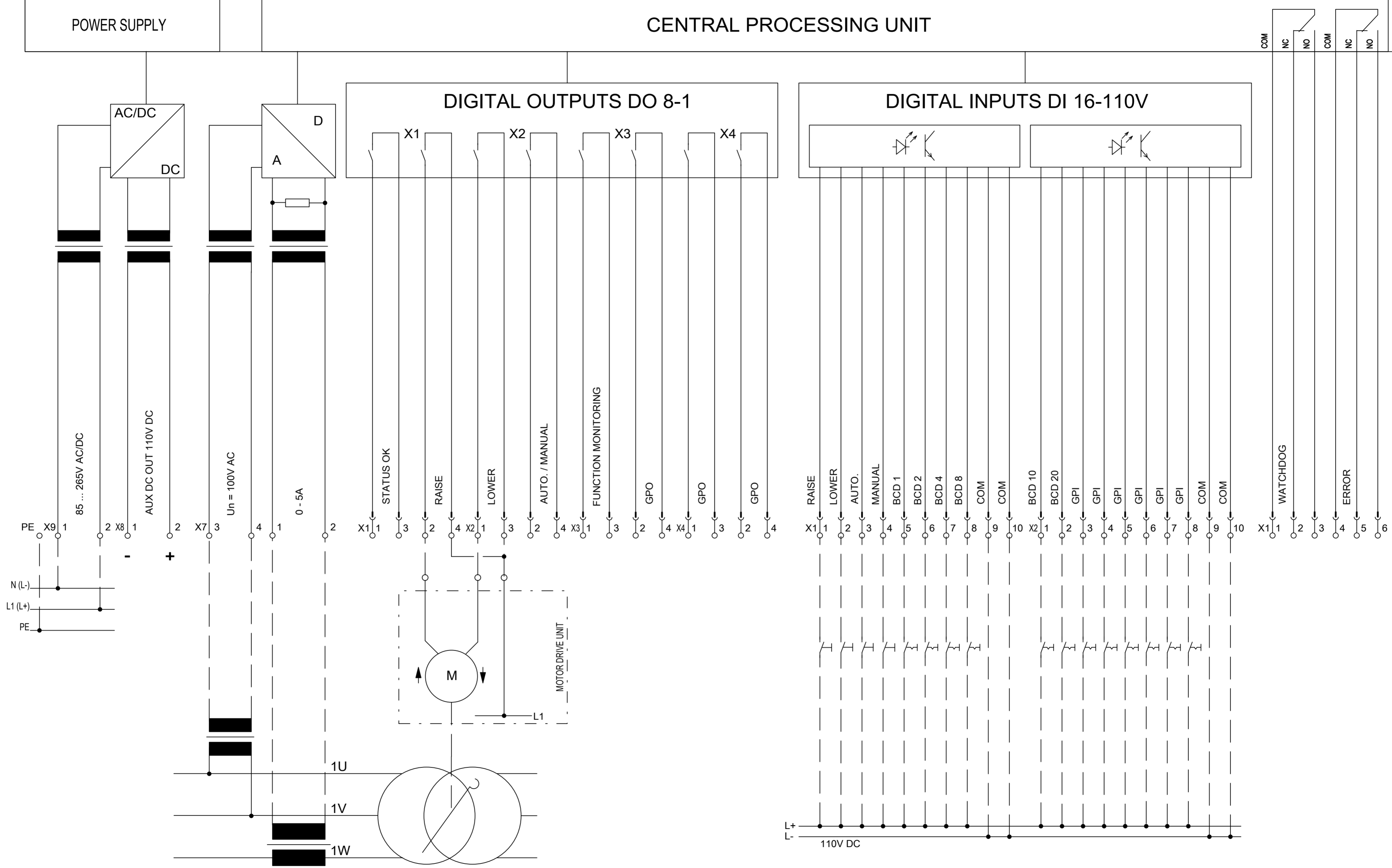
TAPCON® 230 - PRO

POWER SUPPLY

CENTRAL PROCESSING UNIT

DIGITAL OUTPUTS DO 8-1

DIGITAL INPUTS DI 16-110V



Fuer diese technische Unterlage behalten wir uns gemass
DIN 34 Abschnitt 2.1 und 2.2 alle Rechte vor.

DRAWING BY CAD
DO NOT MODIFY MANUALLY

02	X7, X1 connection	29.09.21	Lainer	DATE	22.01.2021
01	BCD signals	29.06.21	M Kahn	EXEC.	BECK
				VERIFIED	AP
NO.	MODIFICATION	DATE	NAME	STANDARD	

ORIGIN	REPL	REPL BY
--------	------	---------



TAPCON® 230 PRO

LANGUAGE:
EN

PROJECT:
7870259_02

=	
+	
SHEET 1 3 SH.	

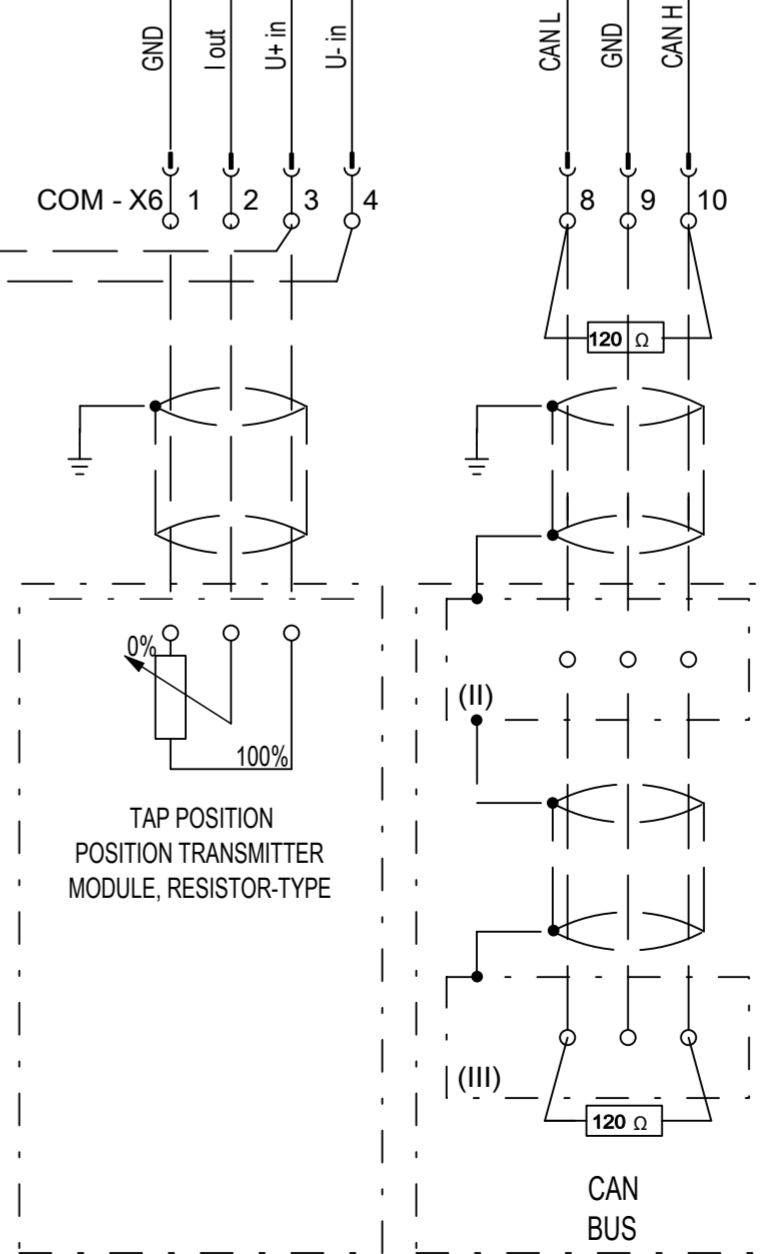
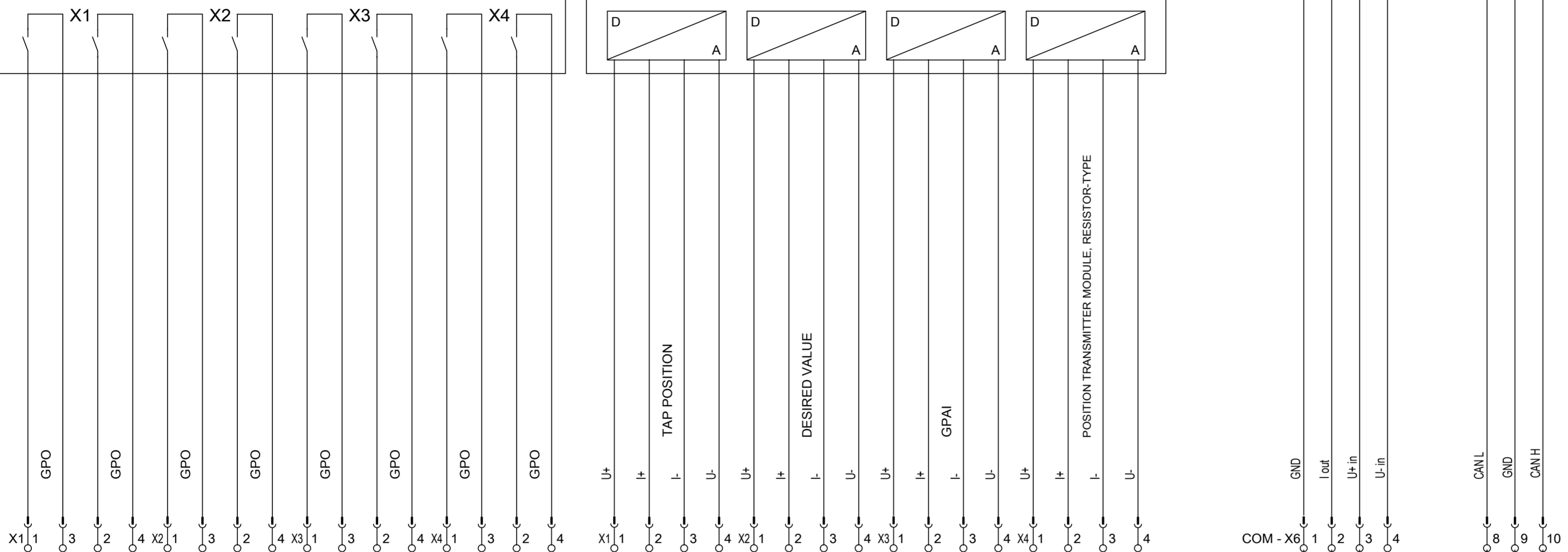
TAPCON® 230 - PRO

CENTRAL PROCESSING UNIT

COM

DIGITAL OUTPUTS DO 8-2

ANALOG INPUTS AI 4



Fuer diese technische Unterlage behalten wir uns gemaess
DIN 34 Abschnitt 2.1 und 2.2 alle Rechte vor.

DRAWING BY CAD
DO NOT MODIFY MANUALLY

02	X7, X1 connection	29.09.21	Lainer	DATE	22.01.2021
01	BCD signals	29.06.21	M Kahn	EXEC.	BECK
				VERIFIED	AP
NO.	MODIFICATION	DATE	NAME	STANDARD	

	ORIGIN	REPL	REPL BY
--	--------	------	---------



TAPCON® 230 PRO

LANGUAGE:
EN

PROJECT:
7870259_02

=	
+	
	SHEET 2
	3 SH.

CUSTOMER

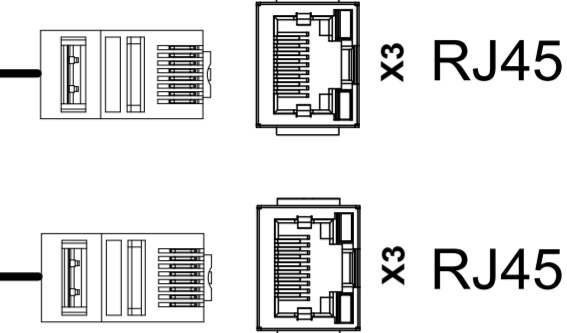
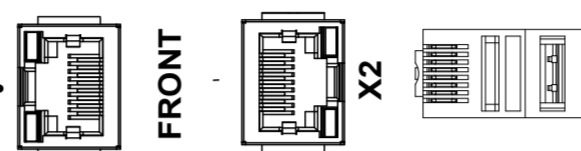
COM

CPU

VISU / SERVICE

RJ45

RJ45



Fuer diese technische Unterlage behalten wir uns gemaess
DIN 34 Abschnitt 2.1 und 2.2 alle Rechte vor.

DRAWING BY CAD
DO NOT MODIFY MANUALLY

02	X7,X1 connection	29.09.21	Lainer	EXEC.	BECK				
01	BCD signals	29.06.21	M Kahn	VERIFIED	AP				
NO.	MODIFICATION	DATE	NAME	STANDARD	ORIGIN	REPL	REPL BY		



TAPCON® 230 PRO

LANGUAGE:
EN

PROJECT:
7870259_02

=	
+	
SHEET	3
	3 SH.

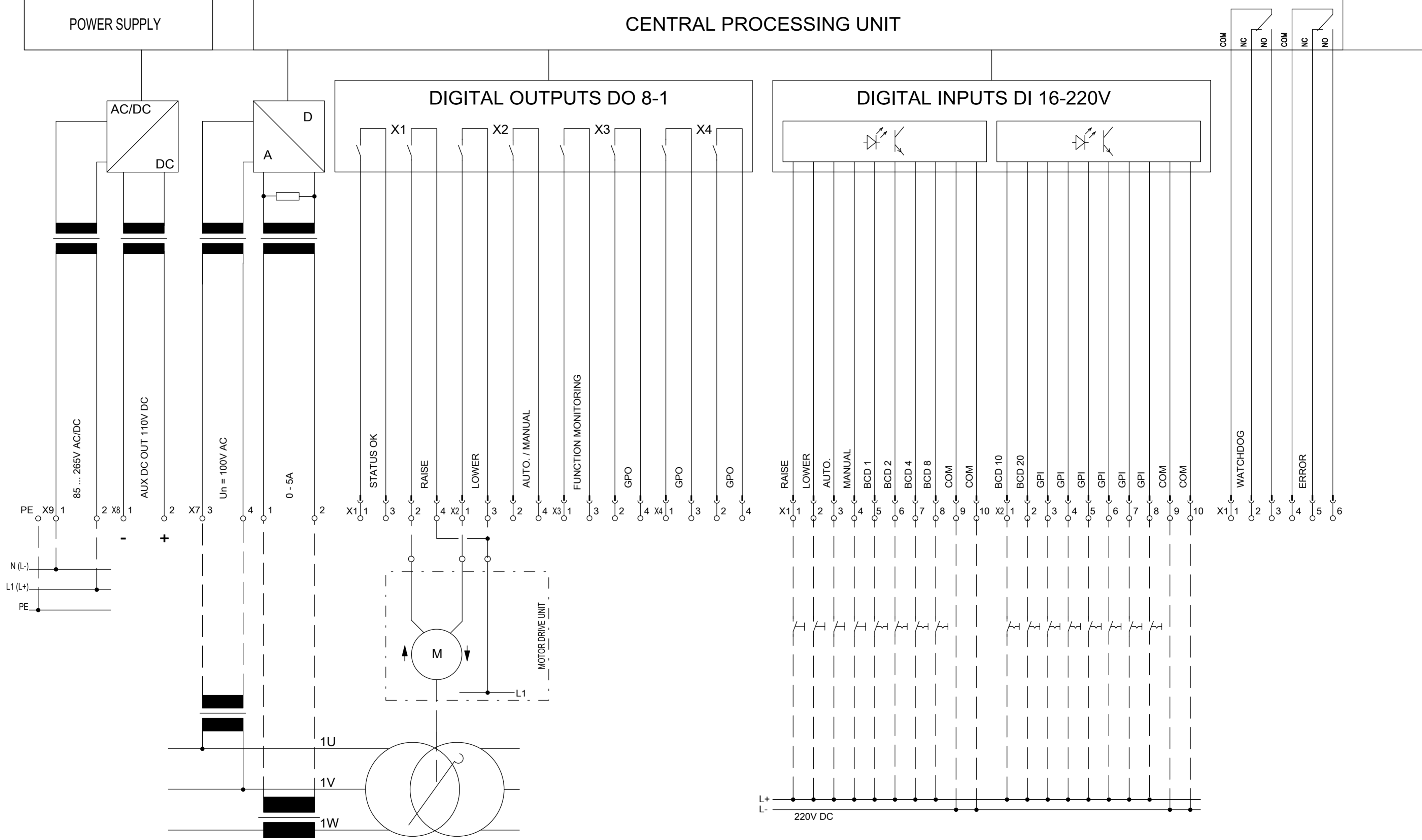
TAPCON® 230 - PRO

POWER SUPPLY

CENTRAL PROCESSING UNIT

DIGITAL OUTPUTS DO 8-1

DIGITAL INPUTS DI 16-220V



Fuer diese technische Unterlage behalten wir uns gemass DIN 34 Abschnitt 2.1 und 2.2 alle Rechte vor.

DRAWING BY CAD
DO NOT MODIFY MANUALLY

DATE	06.09.2022						
EXEC.	BECK						
VERIFIED	AP						
NO.	MODIFICATION	DATE	NAME	STANDARD	ORIGIN	REPL	REPL BY



TAPCON® 230 PRO

LANGUAGE:
EN

PROJECT:
9008275_00

=	
+	
SHEET 1	
3 SH.	

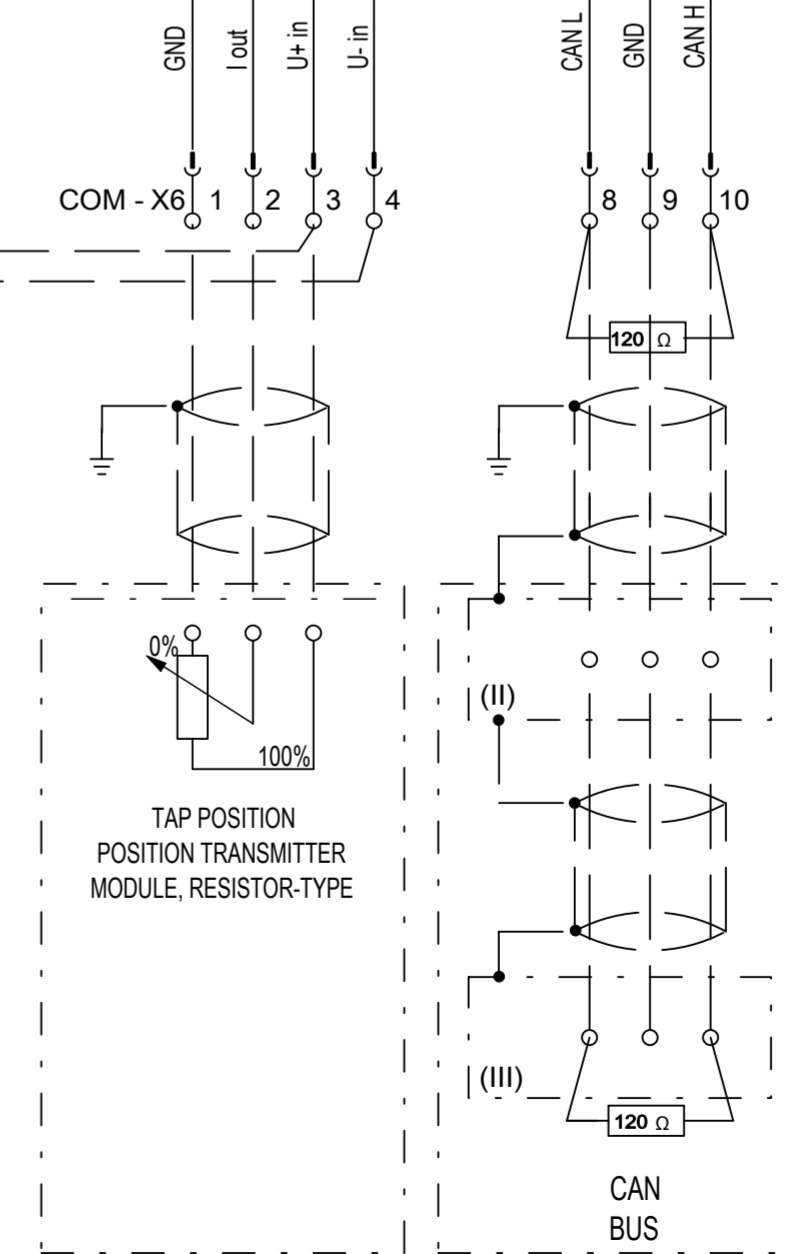
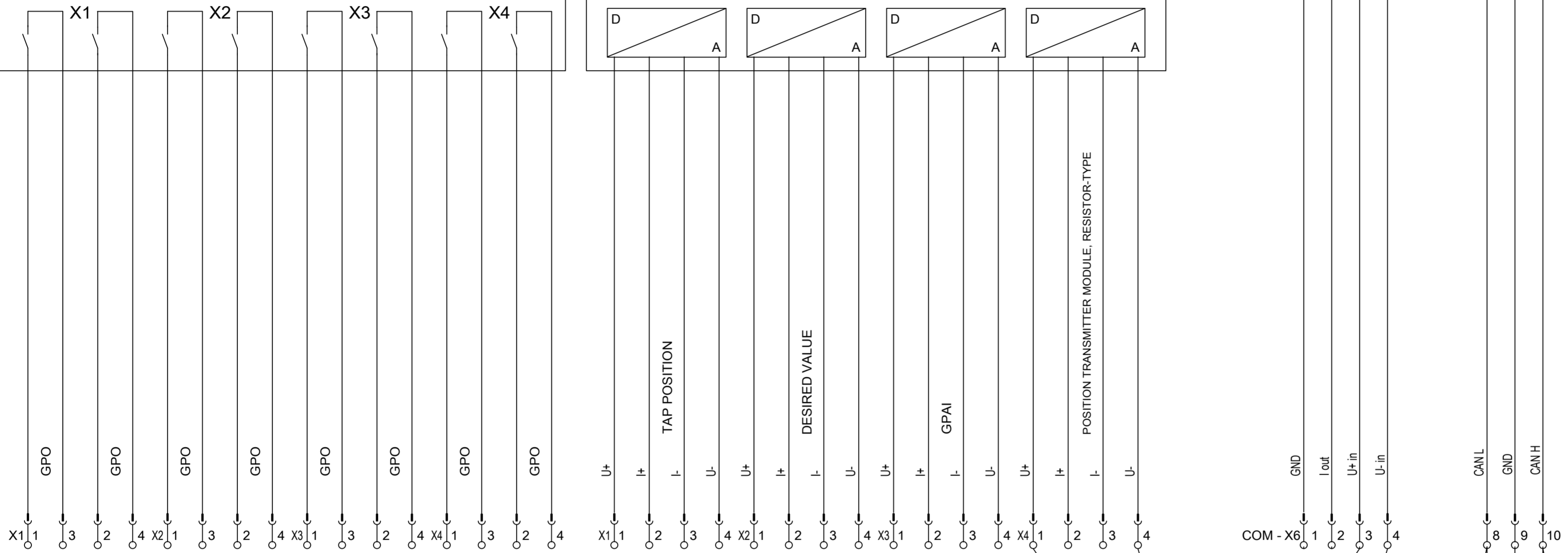
TAPCON® 230 - PRO

CENTRAL PROCESSING UNIT

COM

DIGITAL OUTPUTS DO 8-2

ANALOG INPUTS AI 4



Fuer diese technische Unterlage behalten wir uns gemass DIN 34 Abschnitt 2.1 und 2.2 alle Rechte vor.

DRAWING BY CAD
DO NOT MODIFY MANUALLY

NO.	MODIFICATION	DATE	NAME	STANDARD	ORIGIN	REPL	REPL BY
		06.09.2022	BECK				
			AP				



TAPCON® 230 PRO

LANGUAGE:
EN

PROJECT:
9008275_00

=	
+	
SHEET 2	
3 SH.	

CUSTOMER

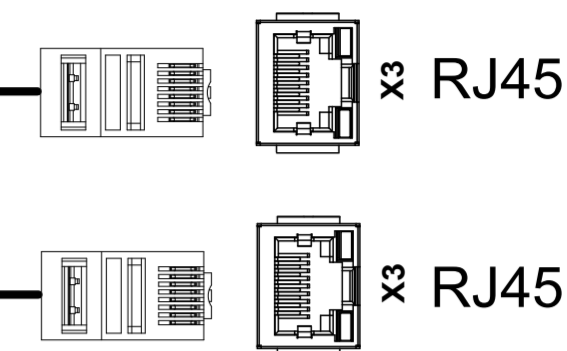
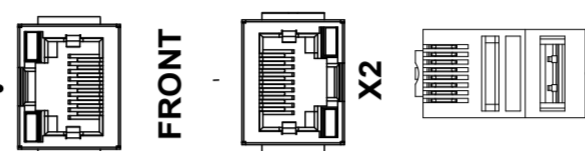
COM

CPU

VISU / SERVICE

RJ45

RJ45



Fuer diese technische Unterlage behalten wir uns gemaess
DIN 34 Abschnitt 2.1 und 2.2 alle Rechte vor.

DRAWING BY CAD
DO NOT MODIFY MANUALLY

				DATE	06.09.2022								
				EXEC.	BECK								
				VERIFIED	AP								
NO.	MODIFICATION	DATE	NAME	STANDARD		ORIGIN	REPL	REPL BY					



TAPCON® 230 PRO

LANGUAGE:
EN

PROJECT:
9008275_00

=	
+	
SHEET	3
	3 SH.

Glossary

EMC

Electromagnetic compatibility

GPI

General Purpose Input

GPO

General Purpose Output

OF

Abbreviation for fiber-optic cable

SNMP

SNMP (Simple Network Management Protocol) is a protocol for managing network devices.

SNTP

NTP (Network Time Protocol) is a standard for synchronizing clocks in computer systems using packet-based communication networks. SNTP (Simple Network Time Protocol) is the simplified version of NTP.

TDSC

TAPCON® Dynamic Set Point Control

Maschinenfabrik Reinhausen GmbH

Falkensteinstrasse 8
93059 Regensburg
Germany
+49 941 4090-0
info@reinhausen.com
[reinhausen.com](https://www.reinhausen.com)

Please note:
The data in our publications may differ from the data of the devices delivered.
We reserve the right to make changes without notice.
7817451/09 EN - TAPCON® 230 Pro Operating instructions -
09/24
Maschinenfabrik Reinhausen GmbH 2024

THE POWER BEHIND POWER.